

HYDRAULIC MOTOR BLOCKS TYPE BV

ORDERING INFORMATION

Type **B V** /

Hydraulic motors MP, MR - **R**
 Hydraulic motors MS - **S**
 Hydraulic motors MM - **M**
 Hydraulic motors MT - **T**

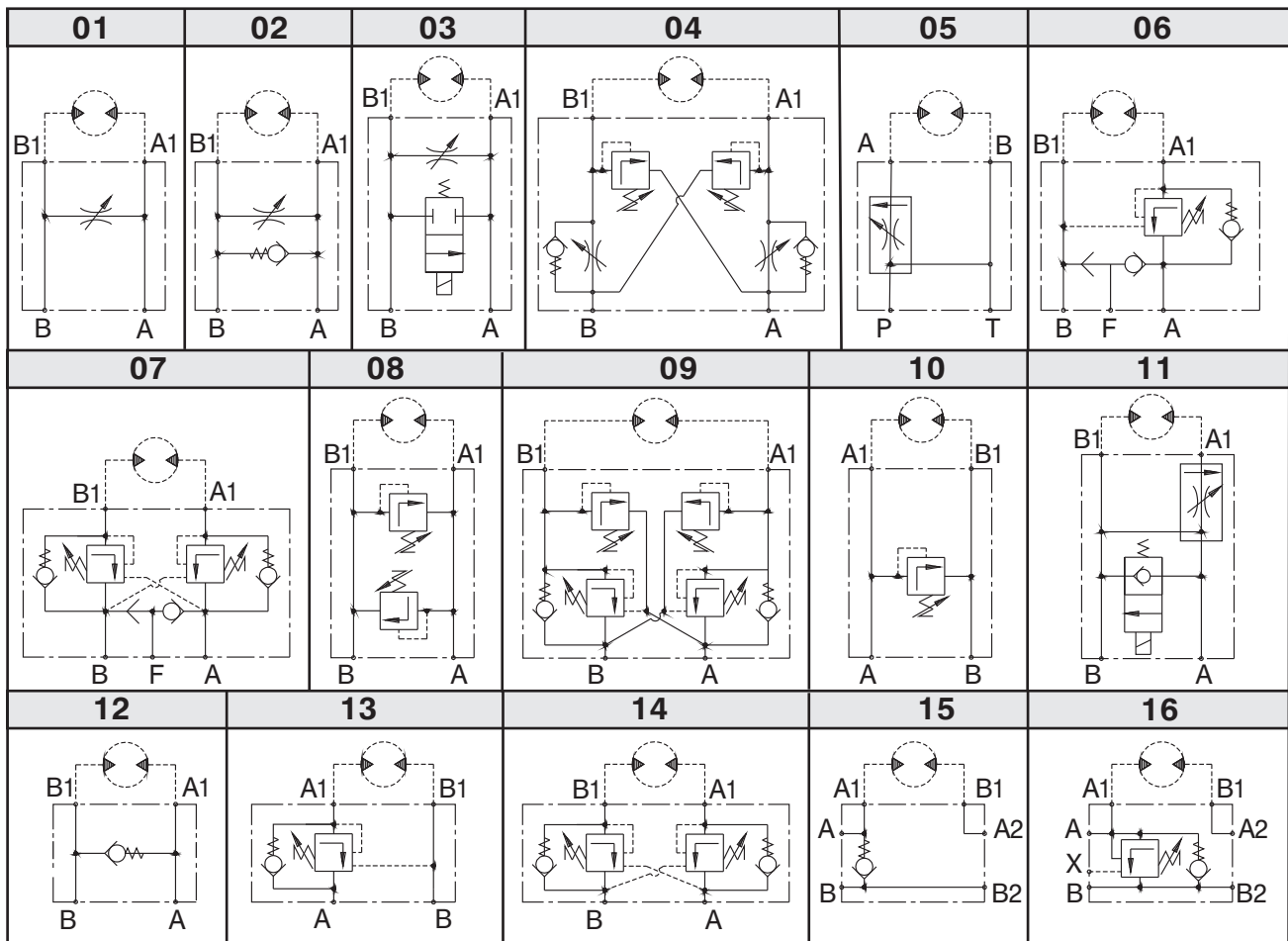
Hollow bolted-on connection G1/2 - **H**
 Screwed connection M8; M10 - Omit

Port threads G3/8" - **38**
 Port threads G1/2" - **12**
 Port threads G3/4" - **34**

Adjustments code
-A
-B

Pressure range code
 100 bar - **10**
 250 bar - **25**

Code of hydraulic scheme



Block are installed directly on motor with bolts M8-8.8 for MP or MR motors and M10-8.8 DIN912 for MS or MT motors
 Tightening torque:
 M8 - 20 N.m
 M10 - 45 N.m
 Working fluid - Hydraulic oil
 Filtration - degree of 25 mm
 Temperature range from -20 to +80°C

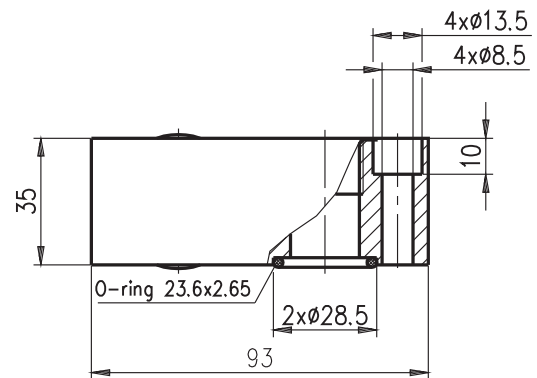
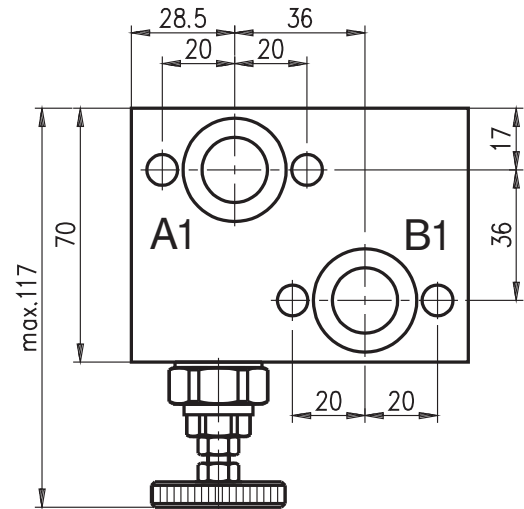
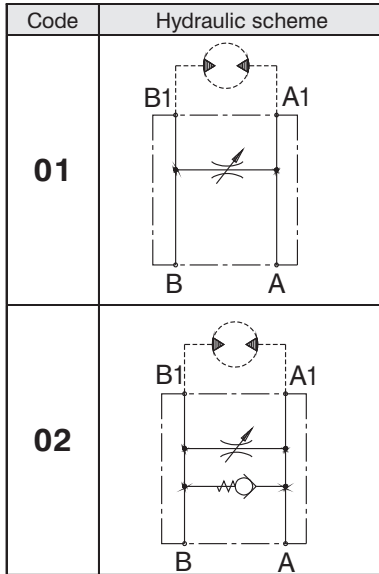


**Hidro
Pnevmo
Tehnika**

3, Vojeli St., Kazanlak, Bulgaria
Tel.: +359 431/ 62 228
Fax : +359 431/ 62 019
e-mail : info@hpt-bg.com
www.hpt-bg.com

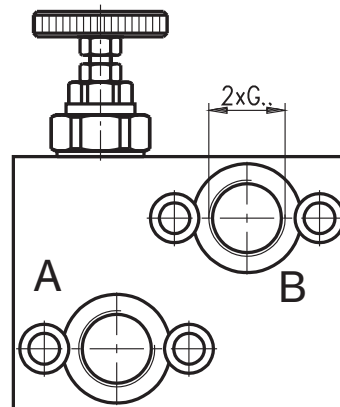
HYDRAULIC MOTOR BLOCKS TYPE BV

BVR .. .



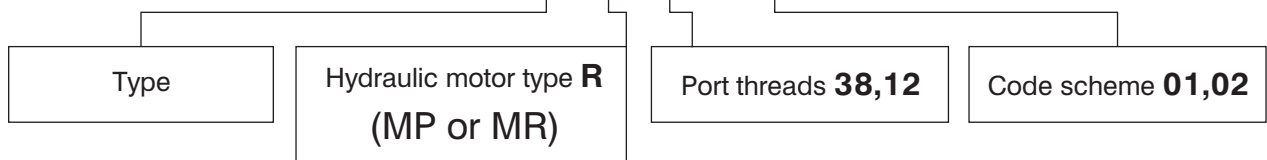
PORT THREADS CODE	
Port threads G3/8"	38
Port threads G1/2"	12

TECHNICAL DATA		
Nominal pressure	bar	210
Nominal flow rate for type 38	L/min	25
Nominal flow rate for type 12	L/min	50



ORDERING CODE

BV R 12 / 01





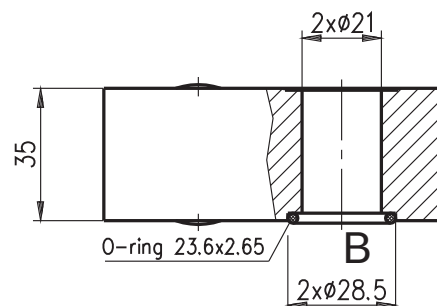
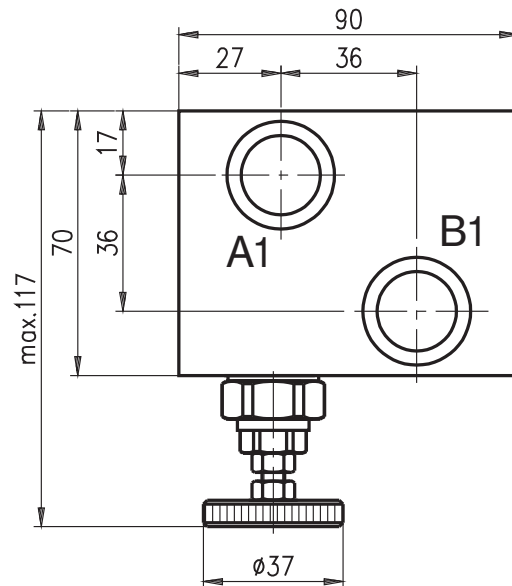
**Hidro
Pnevmo
Tehnika**

3, Vojeli St., Kazanlak, Bulgaria
Tel.: +359 431/ 62 228
Fax : +359 431/ 62 019
e-mail : info@hpt-bg.com
www.hpt-bg.com

HYDRAULIC MOTOR BLOCKS TYPE BV

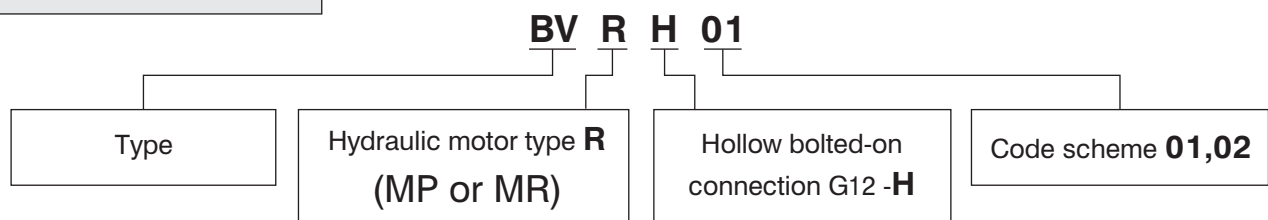
BVRH ..

Code	Hydraulic scheme
01	
02	



TECHNICAL DATA		
Nominal pressure	bar	210
Nominal flow rate for type 38	L/min	50

ORDERING CODE





**Hidro
Pnevmo
Tehnika**

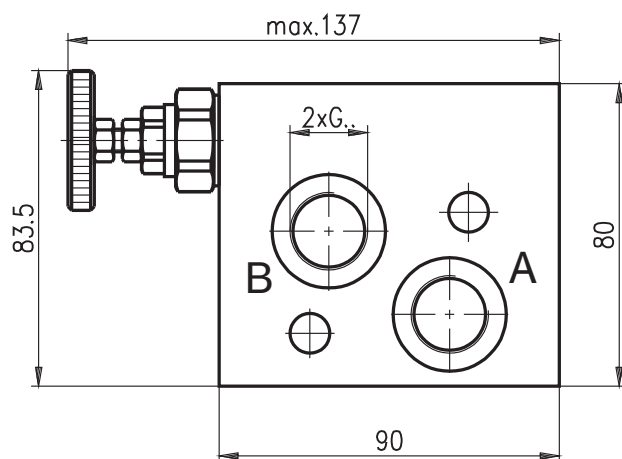
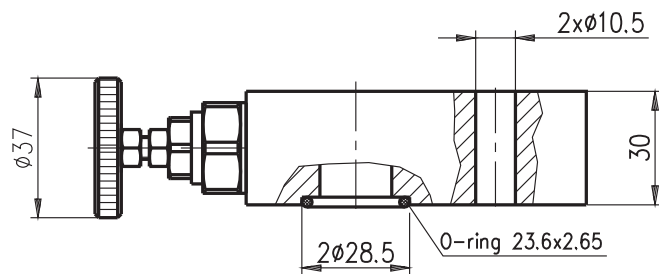
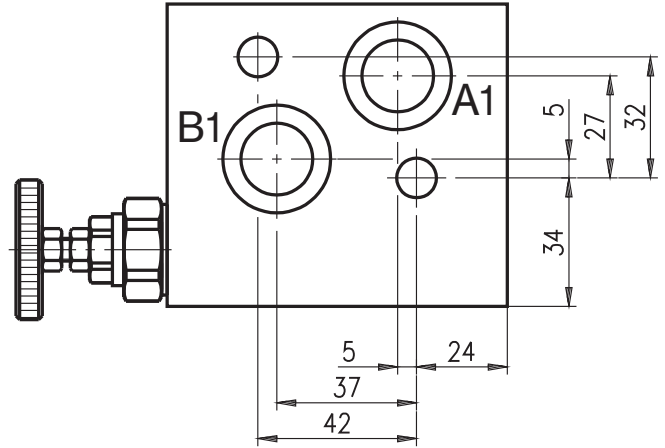
3, Vojeli St., Kazanlak, Bulgaria
Tel.: +359 431/ 62 228
Fax : +359 431/ 62 019
e-mail : info@hpt-bg.com
www.hpt-bg.com

HYDRAULIC MOTOR BLOCKS TYPE BV

BVS .. .



Code	Hydraulic scheme
01	
02	

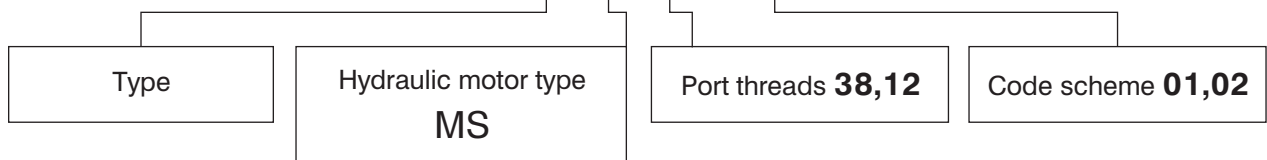


PORT THREADS CODE	
Port threads G3/8"	38
Port threads G1/2"	12

TECHNICAL DATA		
Nominal pressure	bar	210
Nominal flow rate for type 38	L/min	25
Nominal flow rate for type 12	L/min	50

ORDERING CODE

BV S 12 / 01





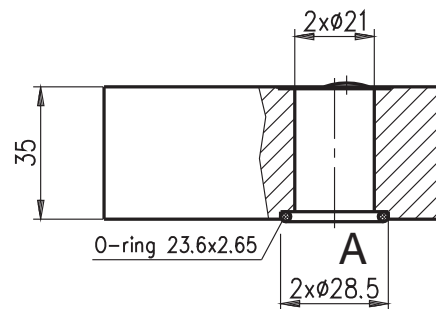
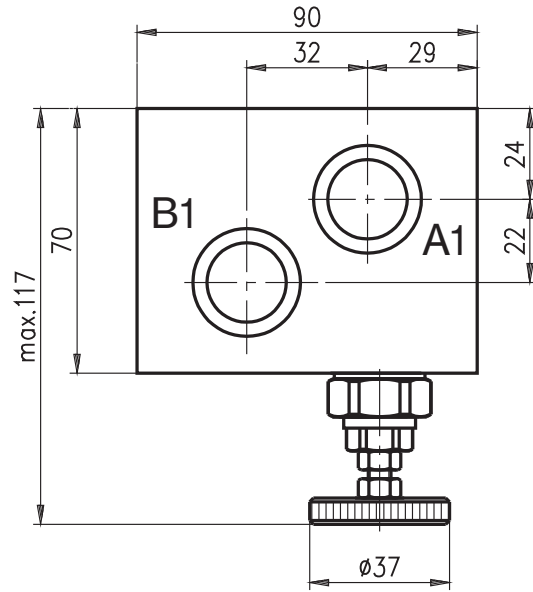
**Hidro
Pnevmo
Tehnika**

3, Vojeli St., Kazanlak, Bulgaria
 Tel.: +359 431/ 62 228
 Fax : +359 431/ 62 019
 e-mail : info@hpt-bg.com
 www.hpt-bg.com

HYDRAULIC MOTOR BLOCKS TYPE BV

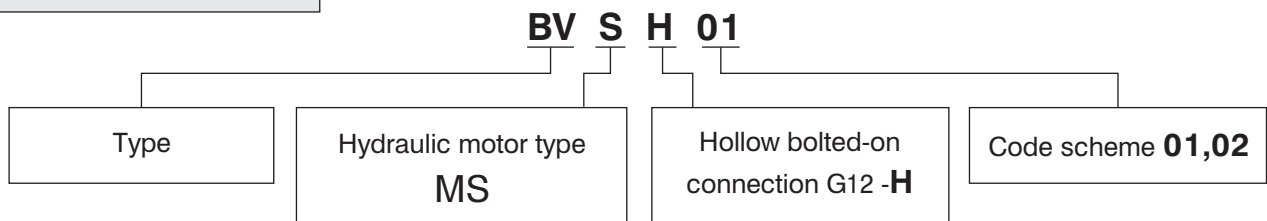
BVSH ..

Code	Hydraulic scheme
01	
02	



TECHNICAL DATA		
Nominal pressure	bar	210
Nominal flow rate for type 38	L/min	50

ORDERING CODE



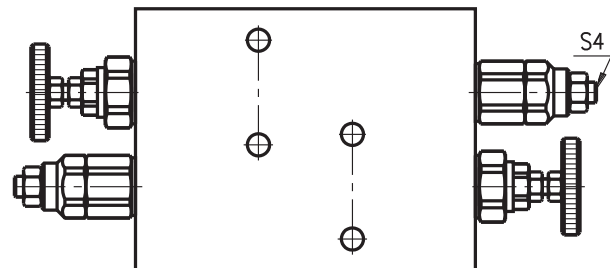
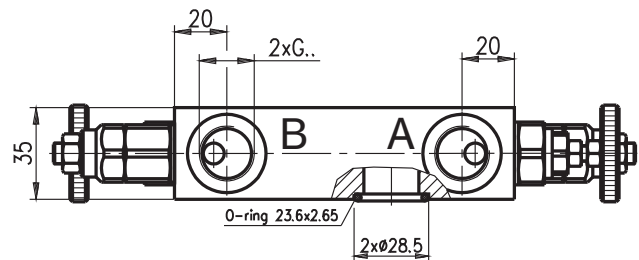
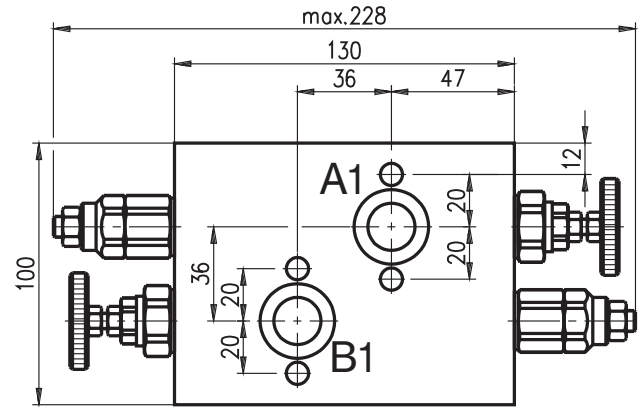
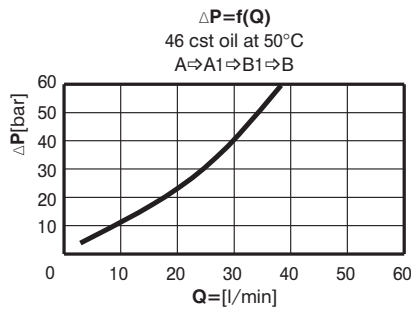
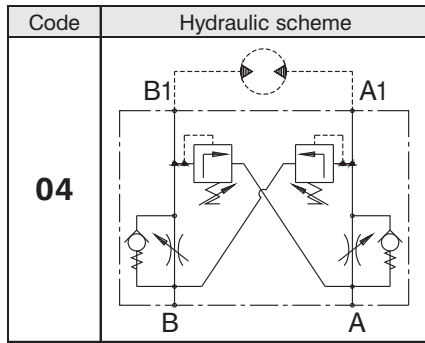


**Hidro
Pnevmo
Tehnika**

3, Vojeli St., Kazanlak, Bulgaria
Tel.: +359 431/ 62 228
Fax : +359 431/ 62 019
e-mail : info@hpt-bg.com
www.hpt-bg.com

HYDRAULIC MOTOR BLOCKS TYPE BV

BVR .. 04/..



PORT THREADS CODE	
Port threads G3/8"	38
Port threads G1/2"	12

TECHNICAL DATA		
Nominal pressure	bar	250
Nominal flow rate for type 38	L/min	25
Nominal flow rate for type 12	L/min	50

PRESSURE RANGE			
Code	Standard setting bar (Q=5l/min)	Adj. pressure range bar	Colour
10	80	10...100	White
25	180	30...250	Yellow

ORDERING CODE

BV R 12 04/10



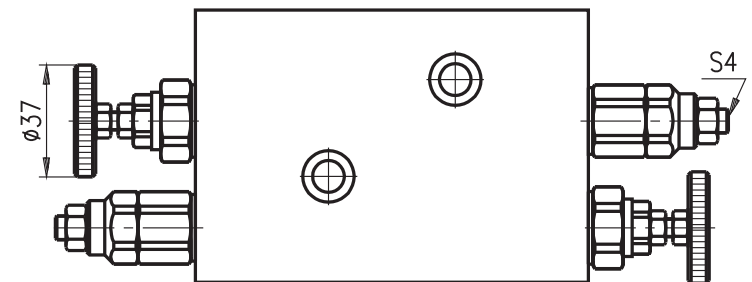
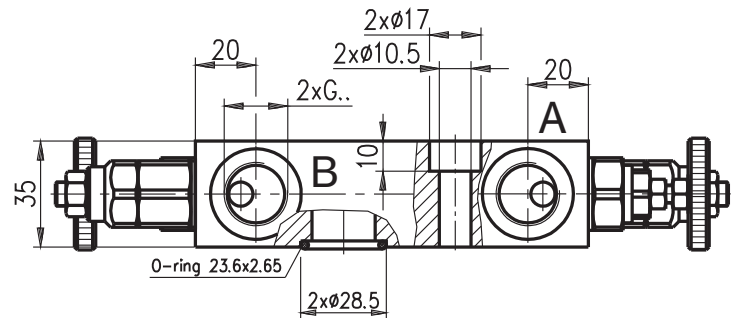
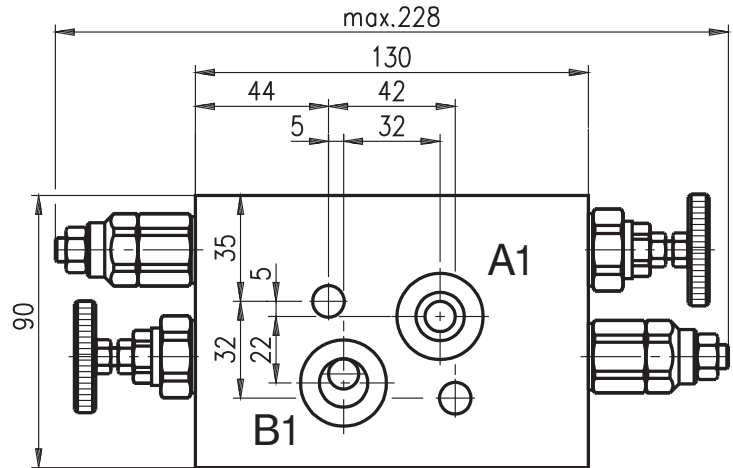
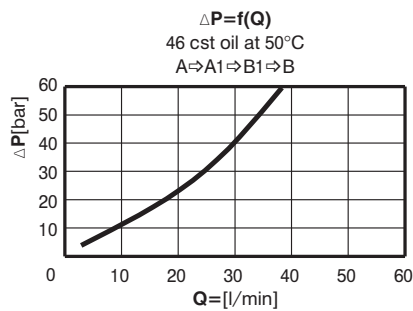
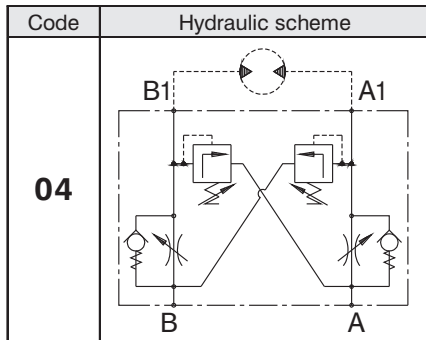


**Hidro
Pnevmo
Tehnika**

3, Vojeli St., Kazanlak, Bulgaria
Tel.: +359 431/ 62 228
Fax : +359 431/ 62 019
e-mail : info@hpt-bg.com
www.hpt-bg.com

HYDRAULIC MOTOR BLOCKS TYPE BV

BVS .. 04/..



PORT THREADS CODE

Port threads G3/8"	38
Port threads G1/2"	12

TECHNICAL DATA

Nominal pressure	bar	250
Nominal flow rate for type 38	L/min	25
Nominal flow rate for type 12	L/min	50

PRESSURE RANGE

Code	Standard setting bar (Q=5l/min)	Adj. pressure range bar	Colour
10	80	10...100	White
25	180	30...250	Yellow

ORDERING CODE

BV S 12 04/10

Type

Hydraulic motor type
MS

Port threads **38,12**

Code scheme **04**

Pressure range
code **10,25**

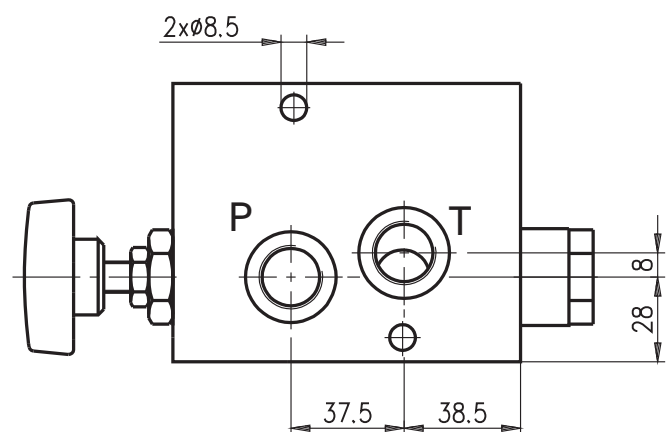
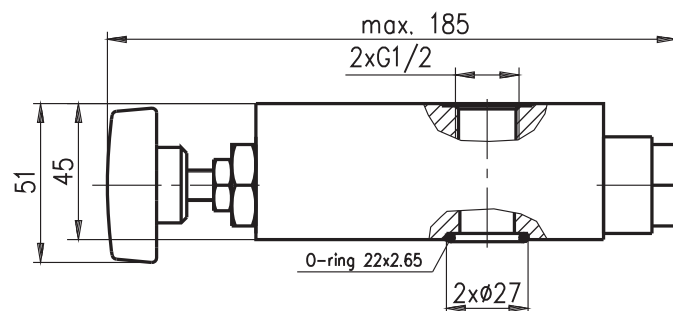
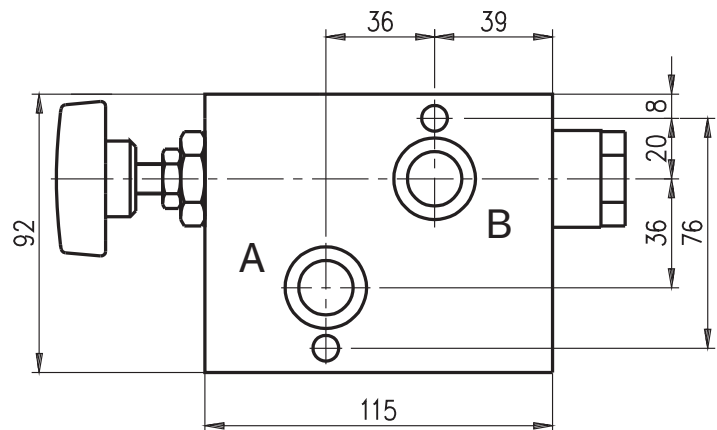
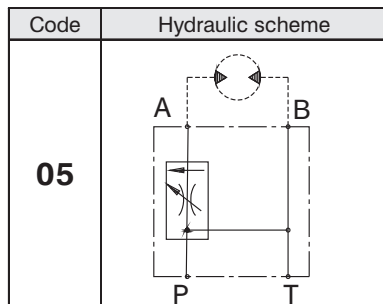
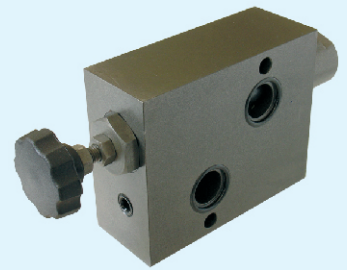


**Hidro
Pnevmo
Tehnika**

3, Vojeli St., Kazanlak, Bulgaria
Tel.: +359 431/ 62 228
Fax : +359 431/ 62 019
e-mail : info@hpt-bg.com
www.hpt-bg.com

HYDRAULIC MOTOR BLOCKS TYPE BV

BVR 12 05



TECHNICAL DATA

Nominal pressure	bar	250
Nominal flow rate	L/min	60

ORDERING CODE

BVR 1205

Type

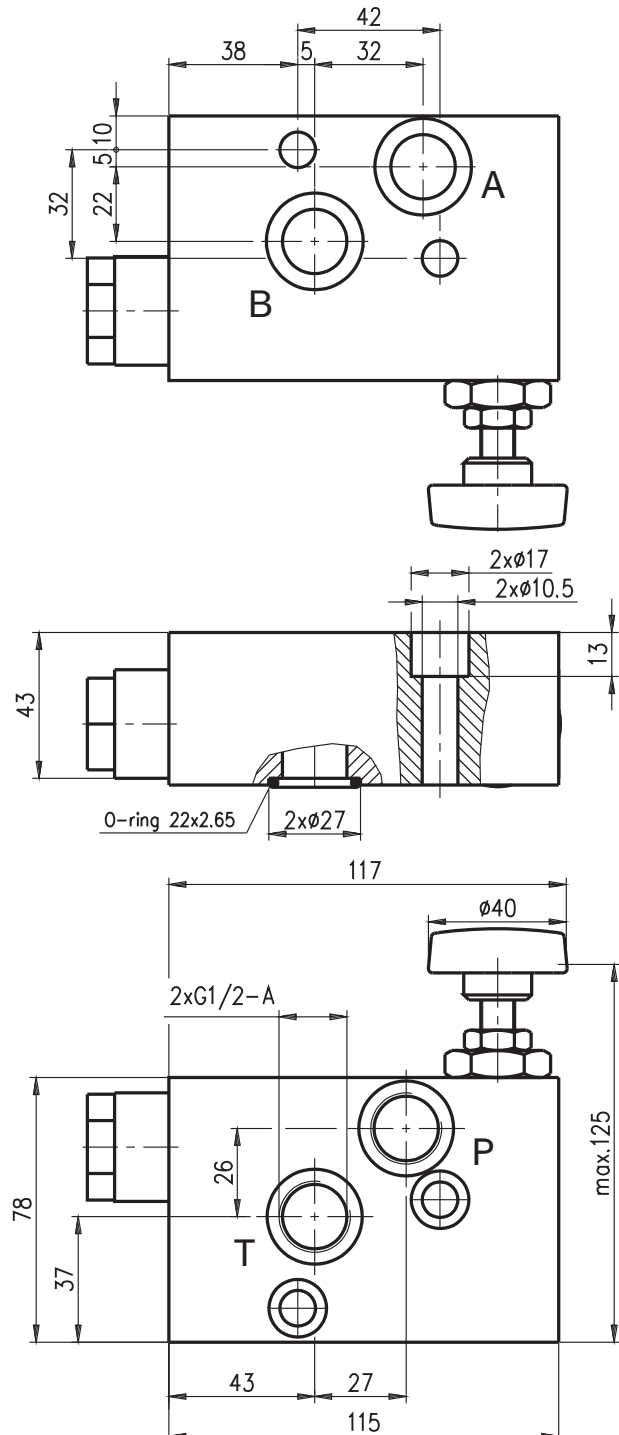
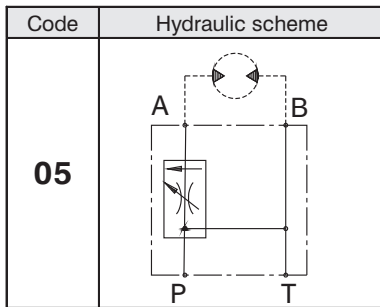


**Hidro
Pnevmo
Tehnika**

3, Vojeli St., Kazanlak, Bulgaria
 Tel.: +359 431/ 62 228
 Fax : +359 431/ 62 019
 e-mail : info@hpt-bg.com
 www.hpt-bg.com

HYDRAULIC MOTOR BLOCKS TYPE BV

BVS 12 05



TECHNICAL DATA		
Nominal pressure	bar	250
Nominal flow rate	L/min	60

ORDERING CODE

BVS 1205

Type

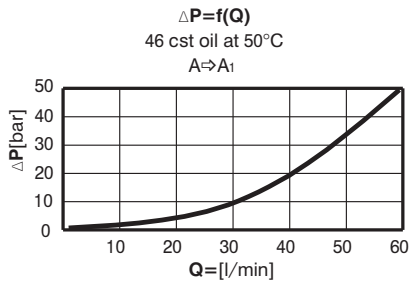
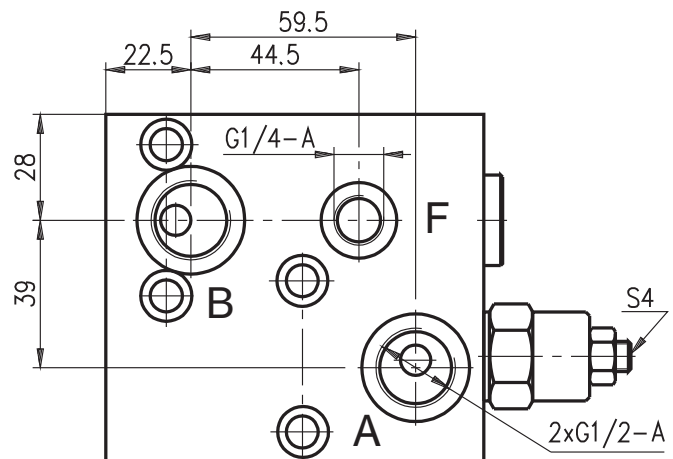
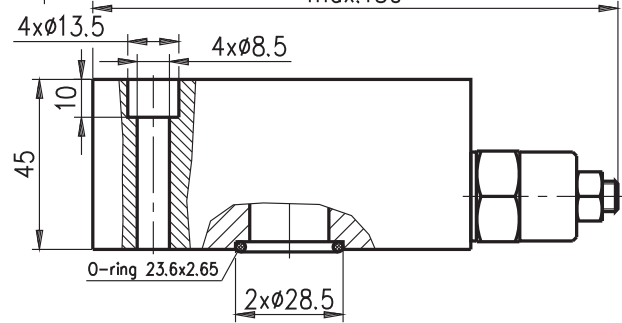
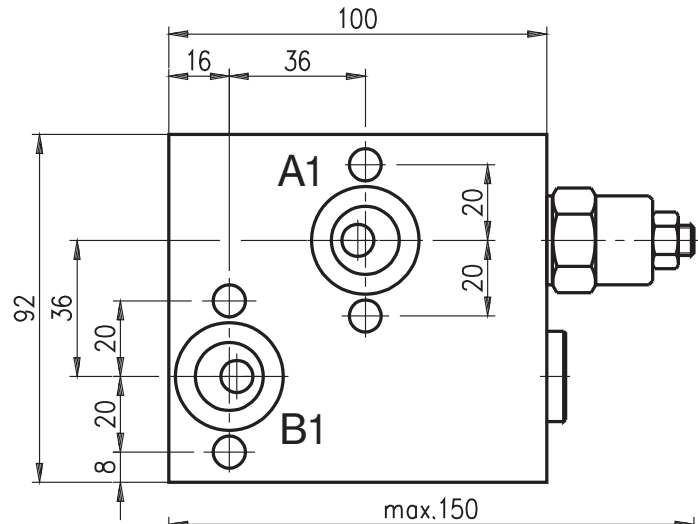
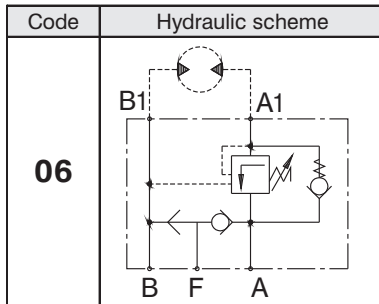


**Hidro
Pnevmo
Tehnika**

3, Vojeli St., Kazanlak, Bulgaria
Tel.: +359 431/ 62 228
Fax : +359 431/ 62 019
e-mail : info@hpt-bg.com
www.hpt-bg.com

HYDRAULIC MOTOR BLOCKS TYPE BV

BVR 12 06



TECHNICAL DATA		
Max. pressure	bar	250
Nominal flow rate	L/min	60
Pressure ratio		4,25:1
Variation ratio	bar	60...280

ORDERING CODE

BVR 1206

Type

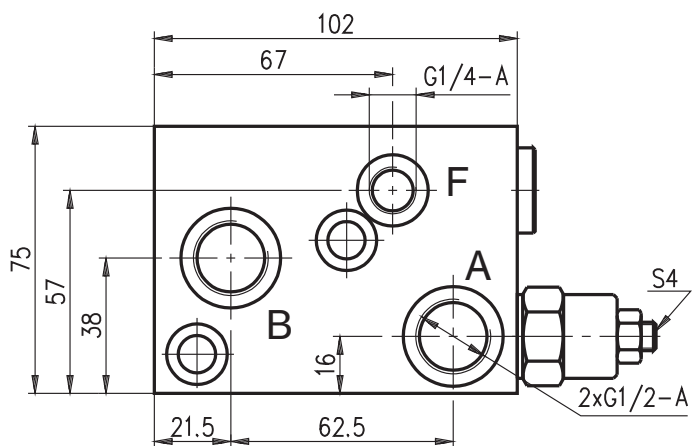
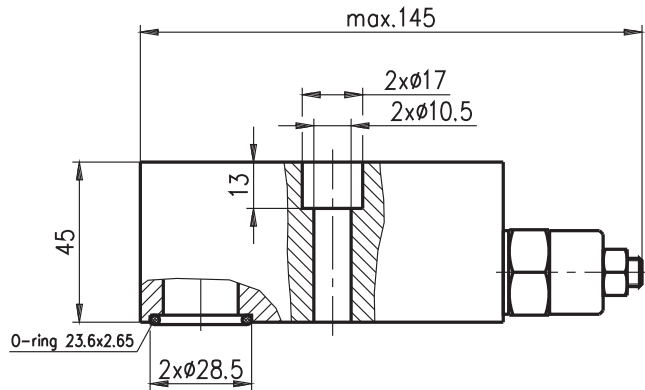
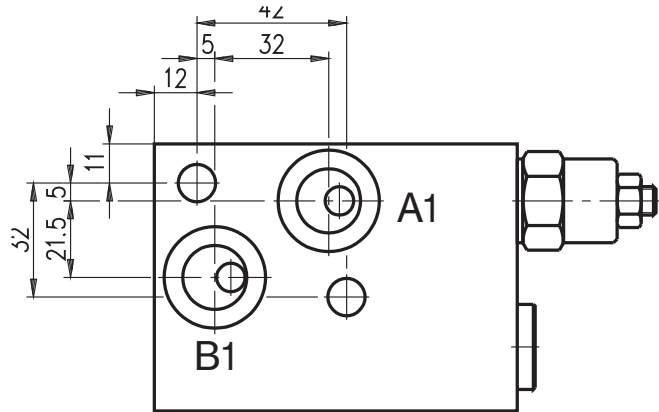
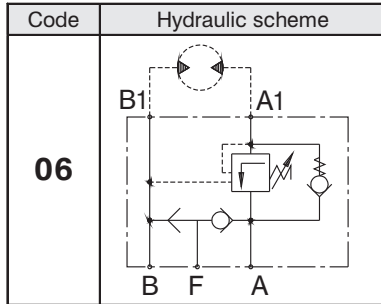


**Hidro
Pnevmo
Tehnika**

3, Vojeli St., Kazanlak, Bulgaria
 Tel.: +359 431/ 62 228
 Fax : +359 431/ 62 019
 e-mail : info@hpt-bg.com
 www.hpt-bg.com

HYDRAULIC MOTOR BLOCKS TYPE BV

BVS 12 06



TECHNICAL DATA		
Max. pressure	bar	250
Nominal flow rate	L/min	60
Pressure ratio		4,25:1
Variation ratio	bar	60...280

ORDERING CODE

BVS 1206

Type

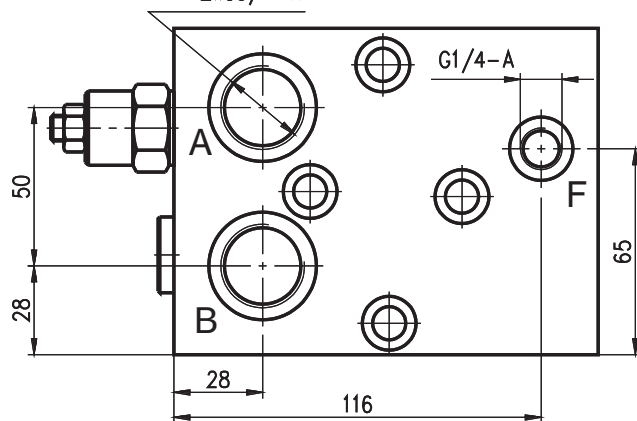
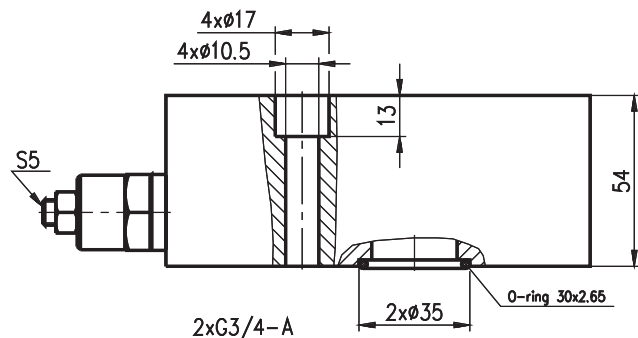
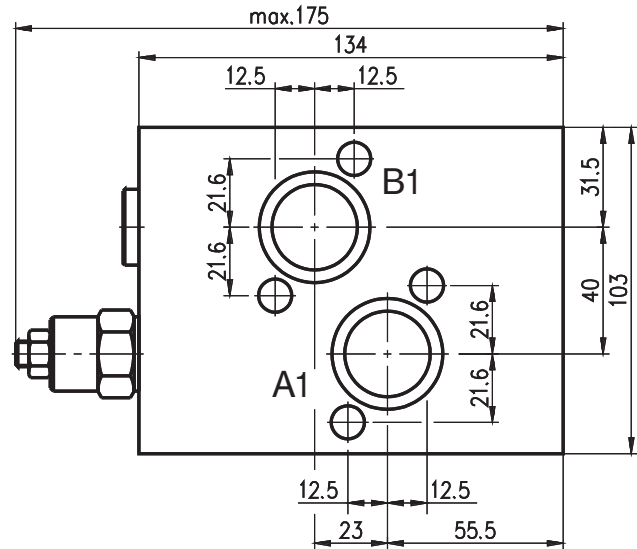
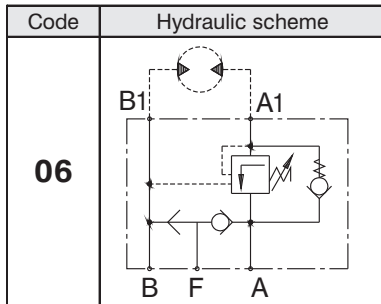


**Hidro
Pnevmo
Tehnika**

3, Vojeli St., Kazanlak, Bulgaria
 Tel.: +359 431/ 62 228
 Fax : +359 431/ 62 019
 e-mail : info@hpt-bg.com
 www.hpt-bg.com

HYDRAULIC MOTOR BLOCKS TYPE BV

BVT 34 06



TECHNICAL DATA		
Max. pressure	bar	250
Nominal flow rate	L/min	100
Pressure ratio		4,25:1
Variation ratio	bar	60...280

ORDERING CODE

BVT 3406

Type

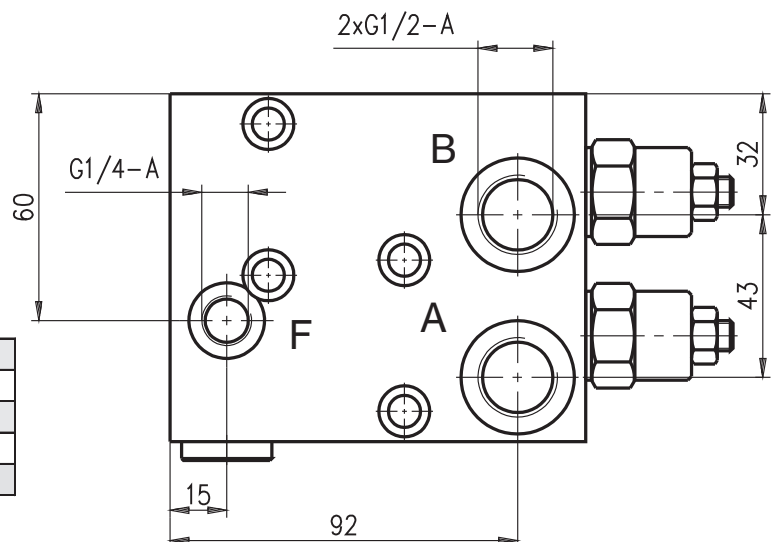
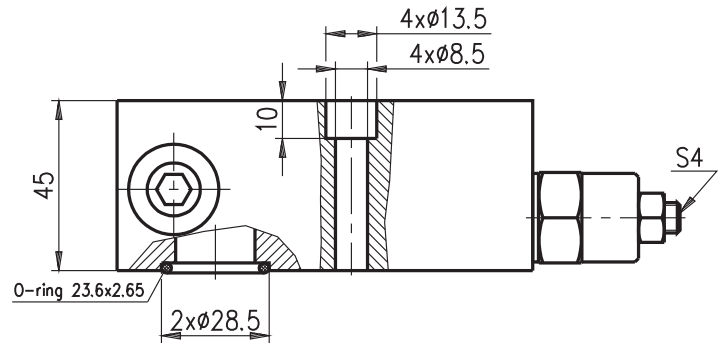
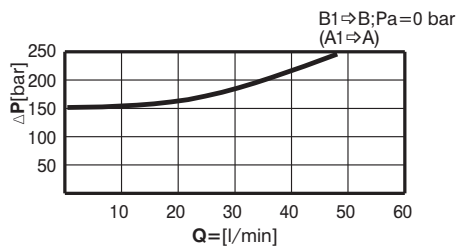
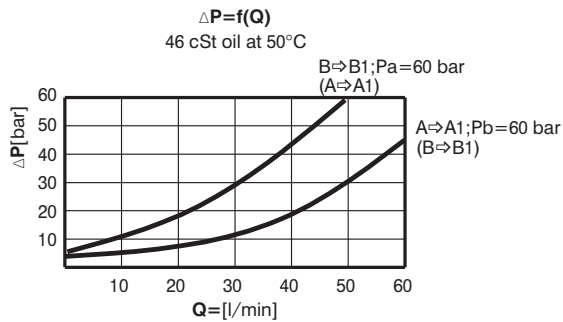
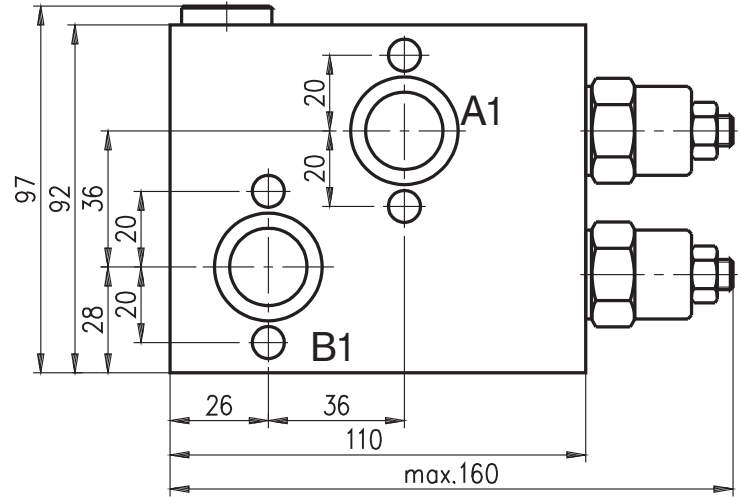
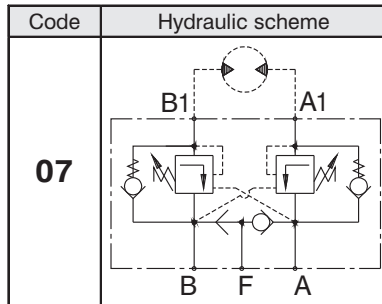
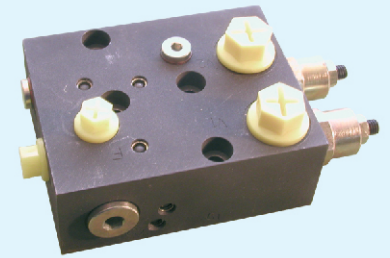


**Hidro
Pnevmo
Tehnika**

3, Vojeli St., Kazanlak, Bulgaria
Tel.: +359 431/ 62 228
Fax : +359 431/ 62 019
e-mail : info@hpt-bg.com
www.hpt-bg.com

HYDRAULIC MOTOR BLOCKS TYPE BV

BVR 12 07



TECHNICAL DATA

Max. pressure	bar	250
Nominal flow rate	L/min	60
Pressure ratio		4,25:1
Variation ratio	bar	60...280

ORDERING CODE

BVR 1207

Type

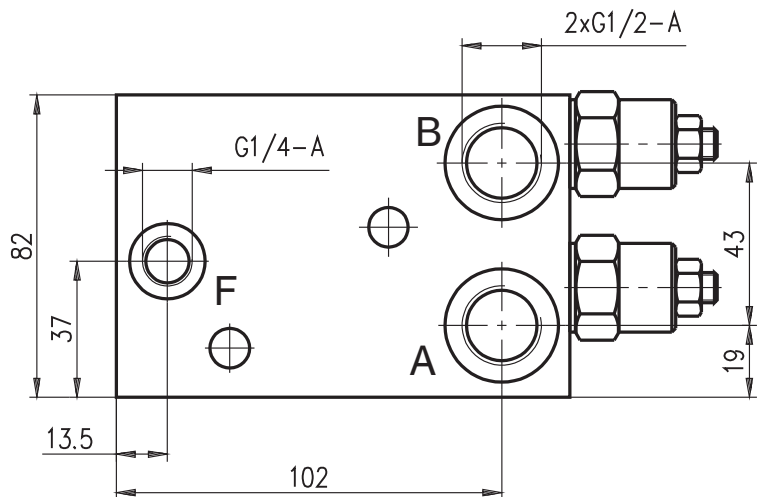
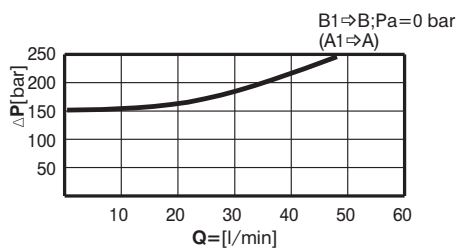
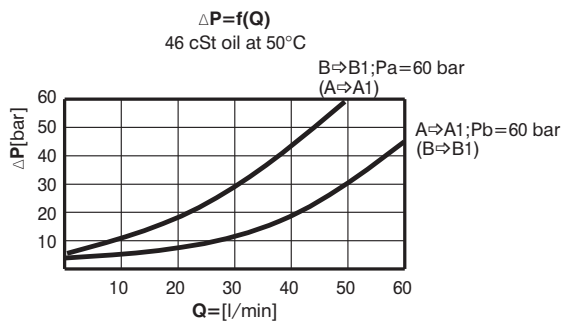
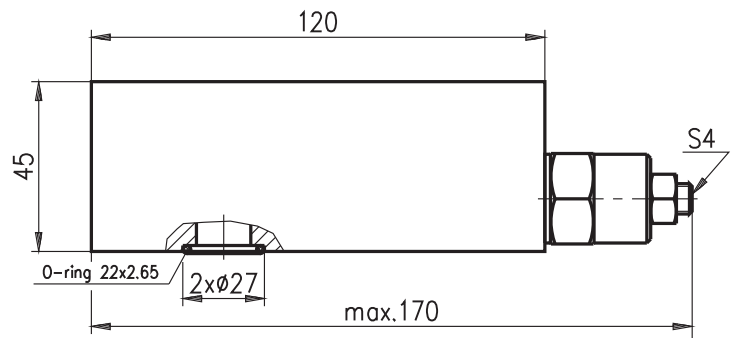
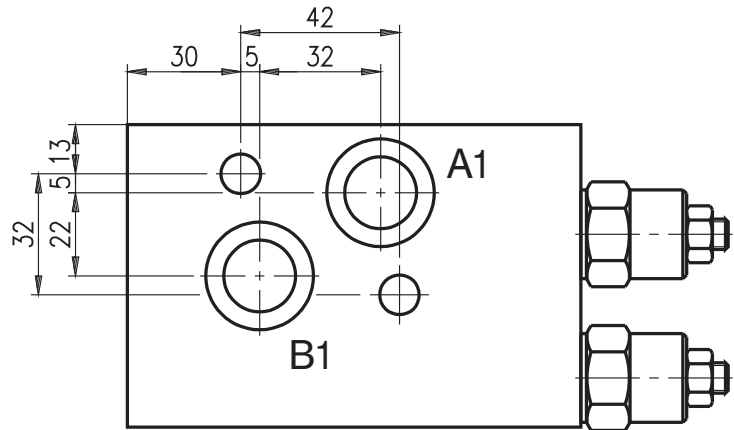
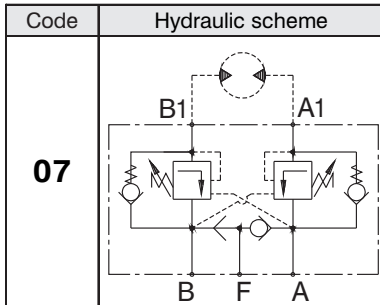
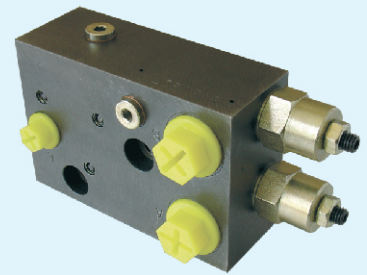


**Hidro
Pnevmo
Tehnika**

3, Vojeli St., Kazanlak, Bulgaria
 Tel.: +359 431/ 62 228
 Fax : +359 431/ 62 019
 e-mail : info@hpt-bg.com
 www.hpt-bg.com

HYDRAULIC MOTOR BLOCKS TYPE BV

BVS 12 07



TECHNICAL DATA		
Max. pressure	bar	250
Nominal flow rate	L/min	60
Pressure ratio		4,25:1
Variation ratio	bar	60...280

ORDERING CODE

BVS 1207

Type

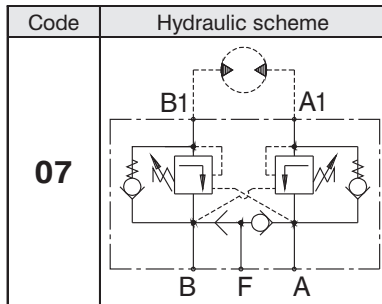


**Hidro
Pnevmo
Tehnika**

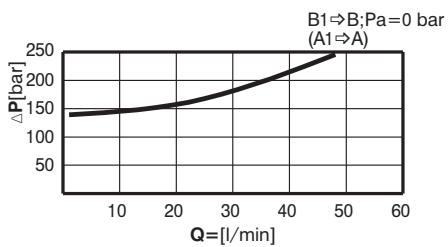
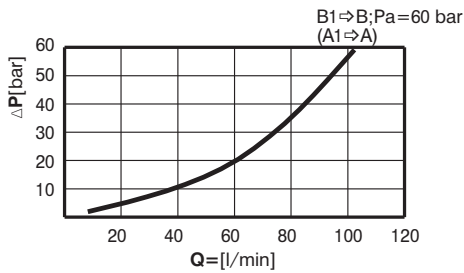
3, Vojeli St., Kazanlak, Bulgaria
Tel.: +359 431/ 62 228
Fax : +359 431/ 62 019
e-mail : info@hpt-bg.com
www.hpt-bg.com

HYDRAULIC MOTOR BLOCKS TYPE BV

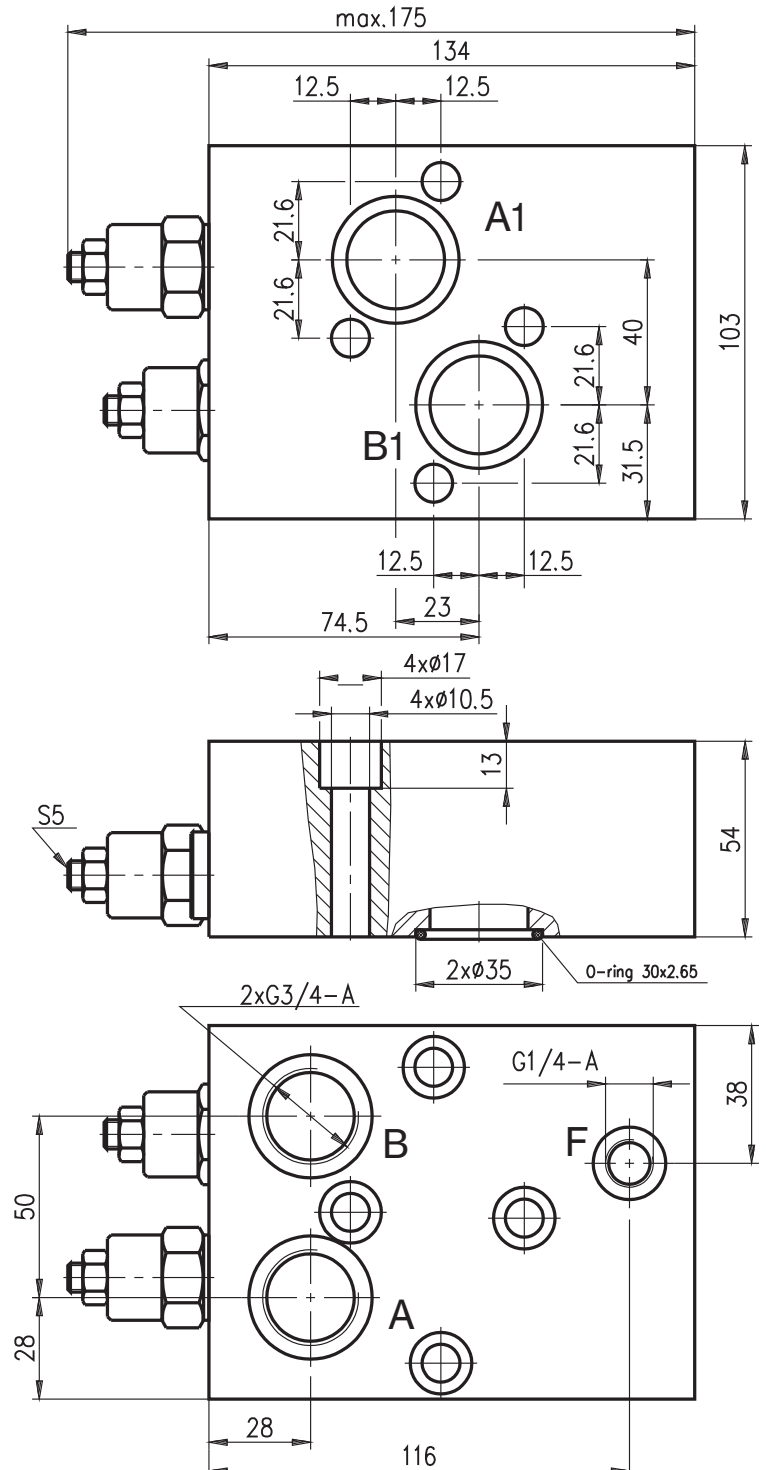
BVT 34 07



$\Delta P = f(Q)$
46 cSt oil at 50°C



TECHNICAL DATA		
Max. pressure	bar	250
Nominal flow rate	L/min	100
Pressure ratio		4,25:1
Variation ratio	bar	60...280



ORDERING CODE

BVT 3407

Type

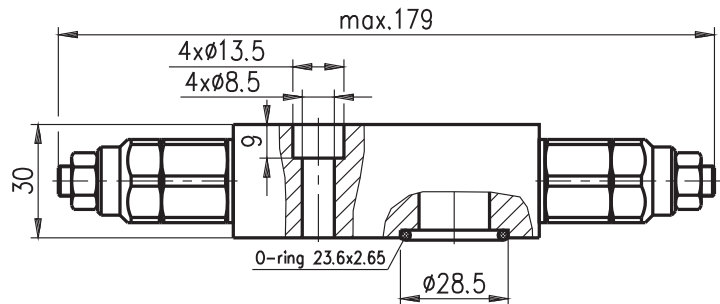
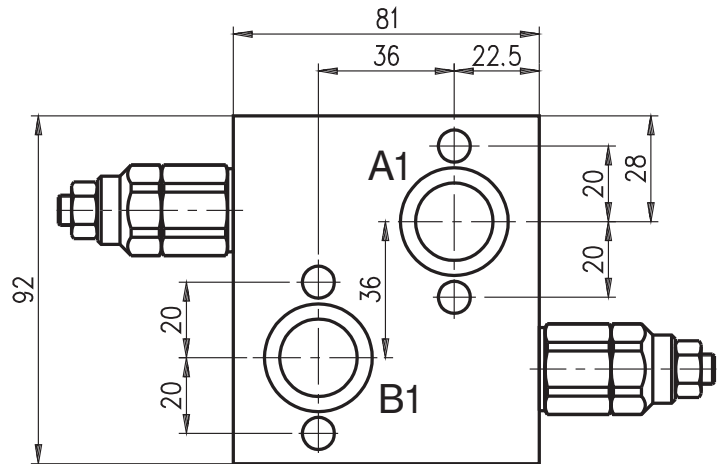
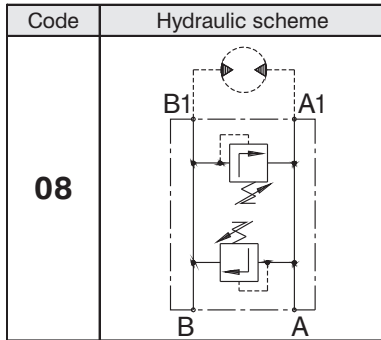


**Hidro
Pnevmo
Tehnika**

3, Vojeli St., Kazanlak, Bulgaria
Tel.: +359 431/ 62 228
Fax : +359 431/ 62 019
e-mail : info@hpt-bg.com
www.hpt-bg.com

HYDRAULIC MOTOR BLOCKS TYPE BV

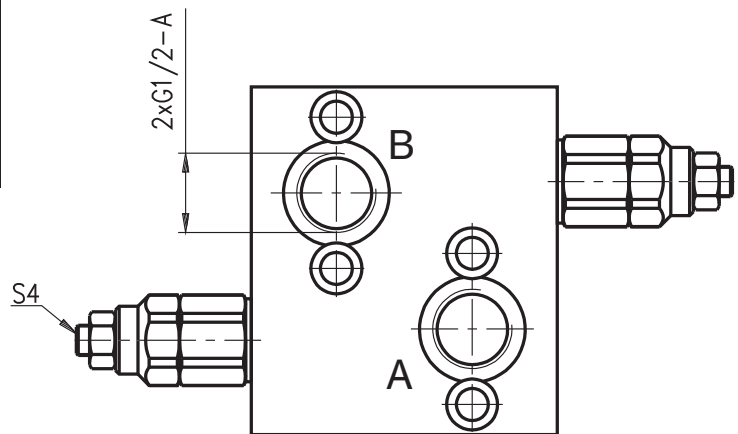
BVR 12 08/ ...



TECHNICAL DATA		
Nominal pressure	bar	250
Nominal flow rate	L/min	50

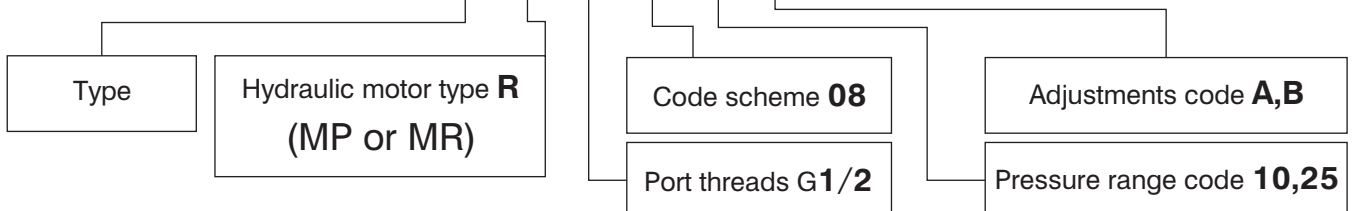
PRESSURE RANGE			
Code	Standard setting bar (Q=5l/min)	Adj. pressure range bar	Colour
10	80	10...100	White
25	180	30...250	Yellow

Code	ADJUSTMENTS
A	Leakproof hex. socket screw
B	Handknob and locknut



ORDERING CODE

BV R 12 08/10 A



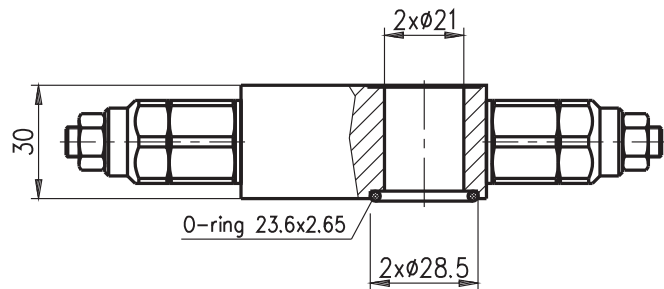
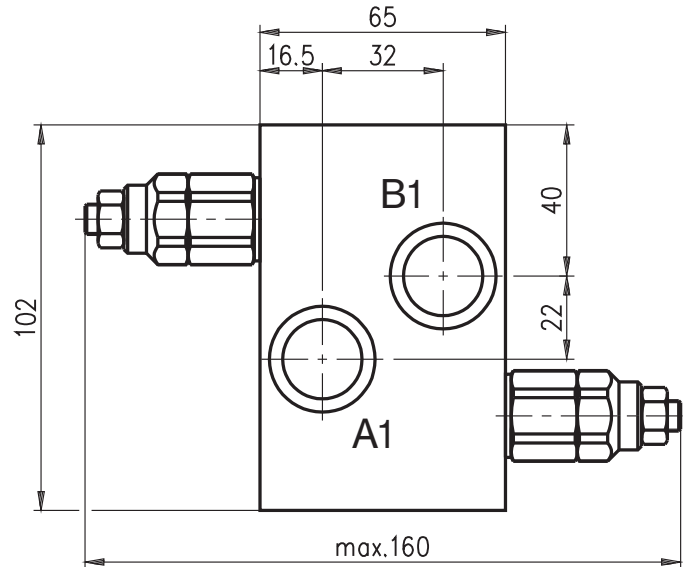
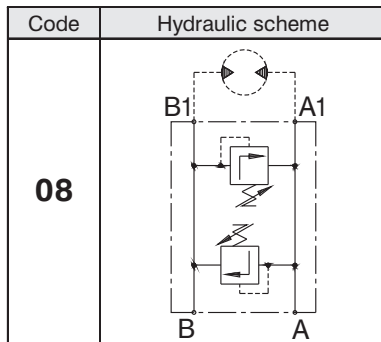


**Hidro
Pnevmo
Tehnika**

3, Vojeli St., Kazanlak, Bulgaria
Tel.: +359 431/ 62 228
Fax : +359 431/ 62 019
e-mail : info@hpt-bg.com
www.hpt-bg.com

HYDRAULIC MOTOR BLOCKS TYPE BV

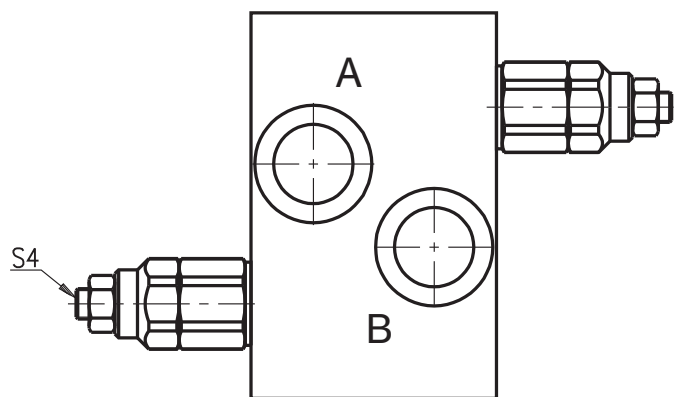
BVRH 12 08/.. .



TECHNICAL DATA		
Nominal pressure	bar	250
Nominal flow rate	L/min	50

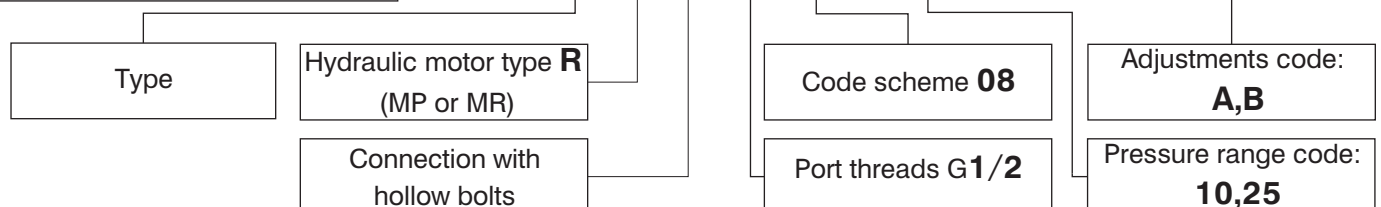
PRESSURE RANGE			
Code	Standard setting bar (Q=5l/min)	Adj. pressure range bar	Colour
10	80	10...100	White
25	180	30...250	Yellow

Code	ADJUSTMENTS
A	Leakproof hex. socket screw
B	Handknob and locknut



ORDERING CODE

BV R H 12 08 / 10 A



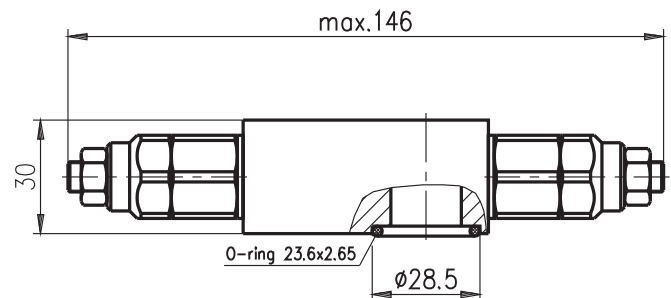
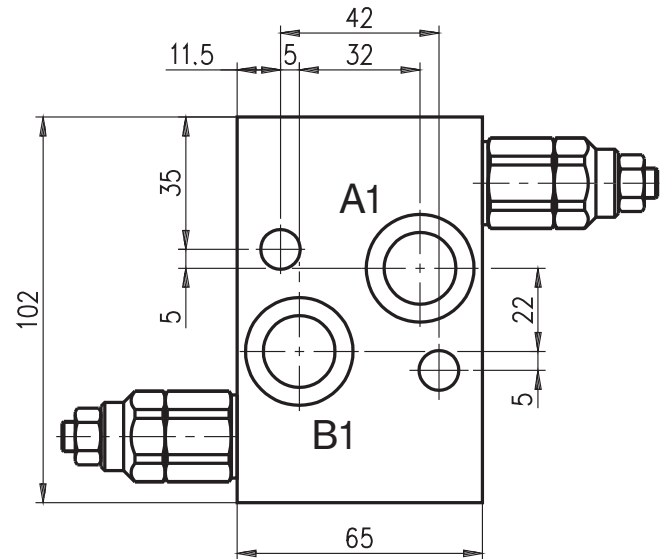
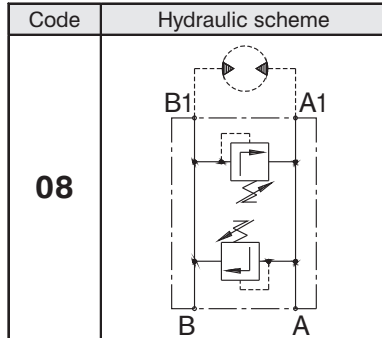


**Hidro
Pnevmo
Tehnika**

3, Vojeli St., Kazanlak, Bulgaria
 Tel.: +359 431/ 62 228
 Fax : +359 431/ 62 019
 e-mail : info@hpt-bg.com
 www.hpt-bg.com

HYDRAULIC MOTOR BLOCKS TYPE BV

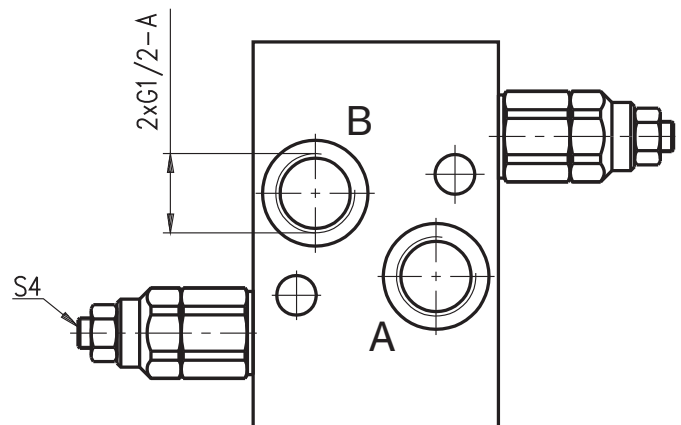
BVS 12 08/.. .



TECHNICAL DATA		
Nominal pressure	bar	250
Nominal flow rate	L/min	50

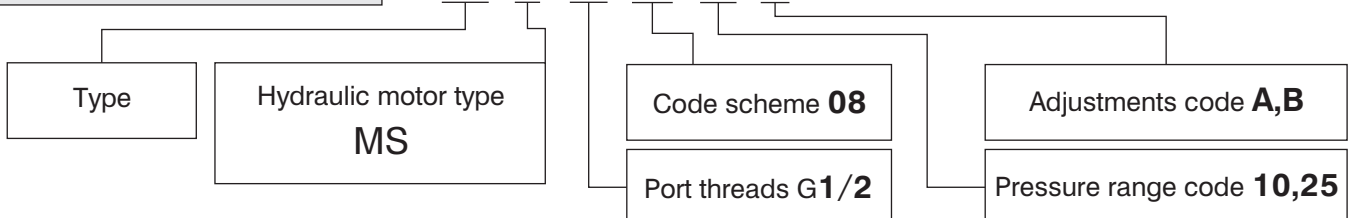
PRESSURE RANGE			
Code	Standard setting bar (Q=5l/min)	Adj. pressure range bar	Colour
10	80	10...100	White
25	180	30...250	Yellow

Code	ADJUSTMENTS
A	Leakproof hex. socket screw
B	Handknob and locknut



ORDERING CODE

BV S 12 08/10 A



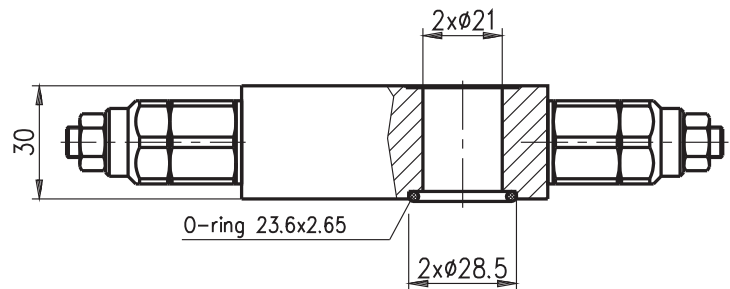
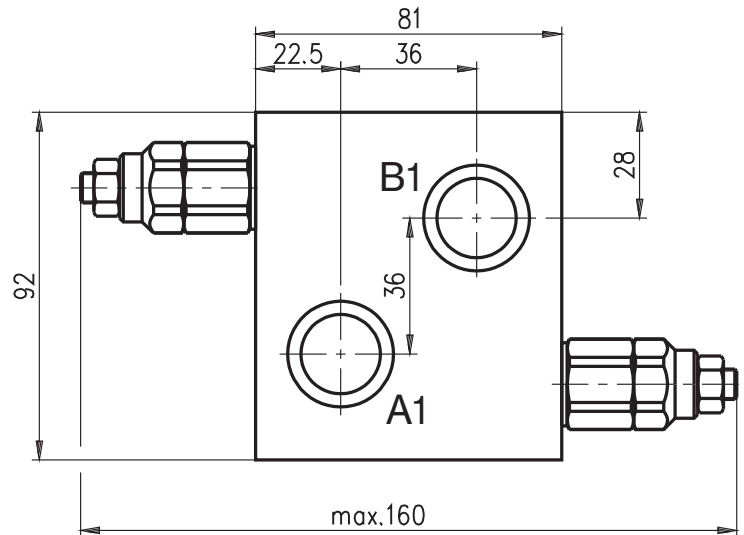
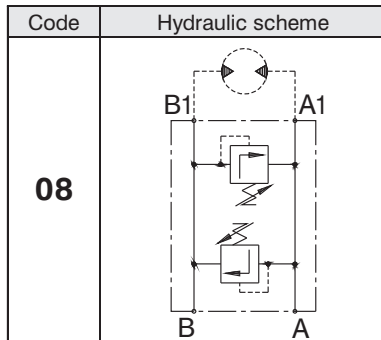


**Hidro
Pnevmo
Tehnika**

3, Vojeli St., Kazanlak, Bulgaria
Tel.: +359 431/ 62 228
Fax : +359 431/ 62 019
e-mail : info@hpt-bg.com
www.hpt-bg.com

HYDRAULIC MOTOR BLOCKS TYPE BV

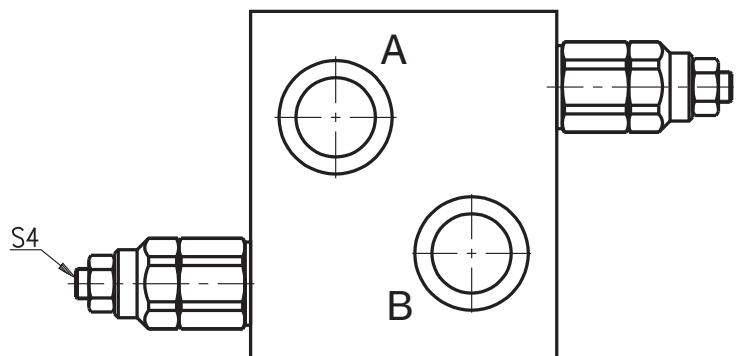
BVSH 12 08/.. .



TECHNICAL DATA		
Nominal pressure	bar	250
Nominal flow rate	L/min	50

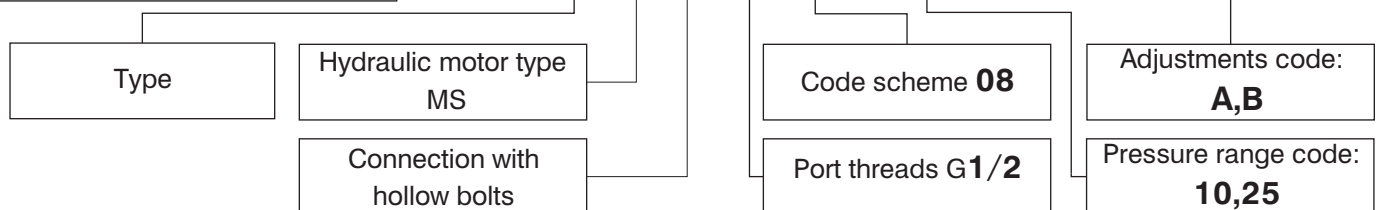
PRESSURE RANGE			
Code	Standard setting bar (Q=5l/min)	Adj. pressure range bar	Colour
10	80	10...100	White
25	180	30...250	Yellow

Code	ADJUSTMENTS
A	Leakproof hex. socket screw
B	Handknob and locknut



ORDERING CODE

BV S H 12 08 / 10 A



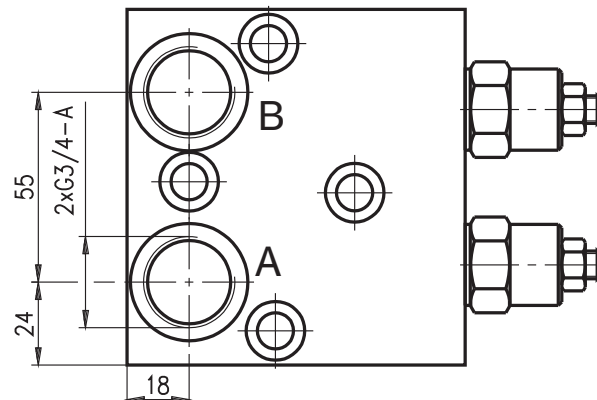
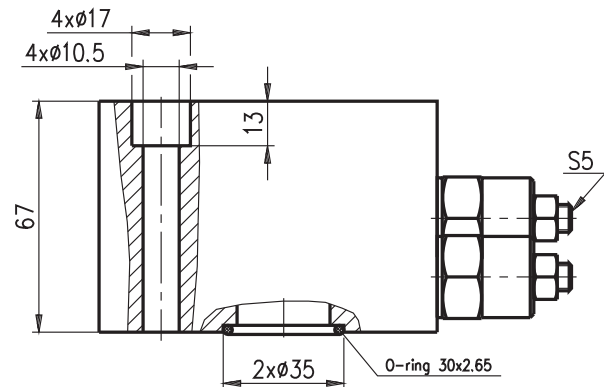
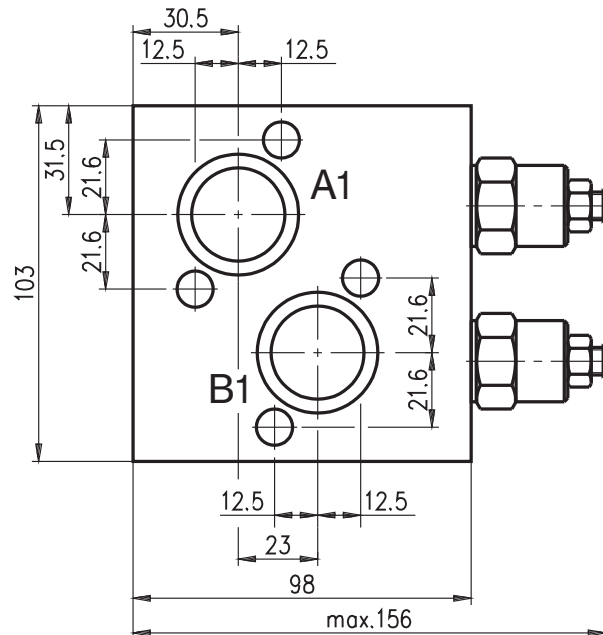
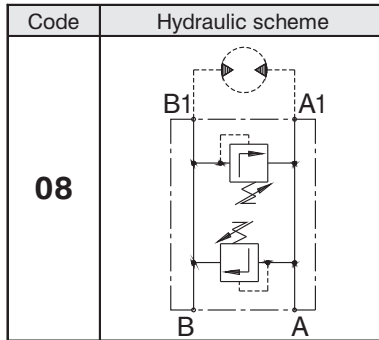


**Hidro
Pnevmo
Tehnika**

3, Vojeli St., Kazanlak, Bulgaria
Tel.: +359 431/ 62 228
Fax : +359 431/ 62 019
e-mail : info@hpt-bg.com
www.hpt-bg.com

HYDRAULIC MOTOR BLOCKS TYPE BV

BVT 34 08/.. .



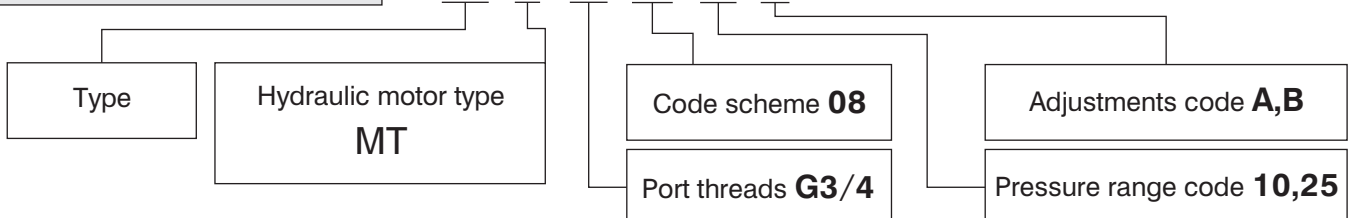
TECHNICAL DATA		
Nominal pressure	bar	250
Nominal flow rate	L/min	100

PRESSURE RANGE			
Code	Standard setting bar (Q=5l/min)	Adj. pressure range bar	Colour
10	80	10...100	White
25	180	30...250	Yellow

Code	ADJUSTMENTS
A	Leakproof hex. socket screw
B	Handknob and locknut

ORDERING CODE

BV T 34 08/10 A



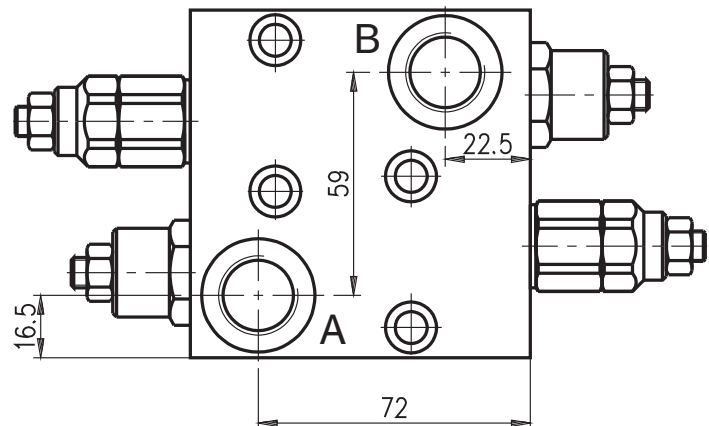
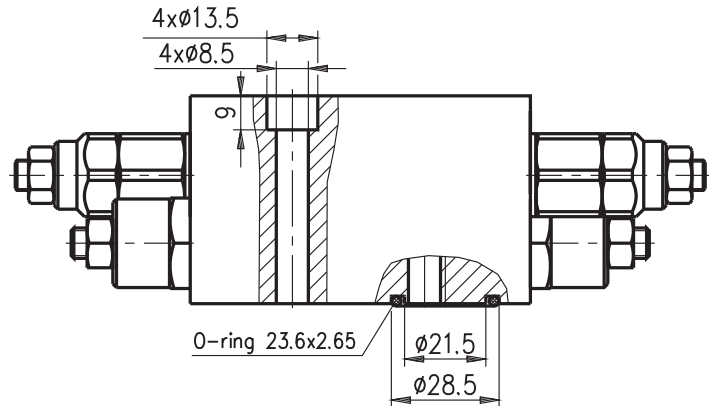
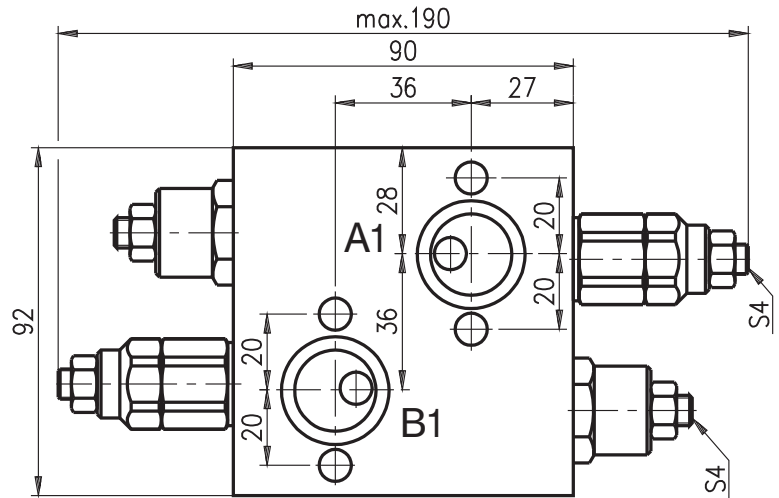
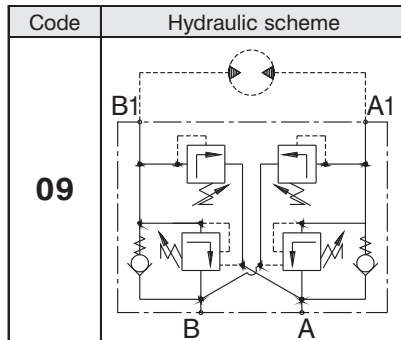


**Hidro
Pnevmo
Tehnika**

3, Vojeli St., Kazanlak, Bulgaria
Tel.: +359 431/ 62 228
Fax : +359 431/ 62 019
e-mail : info@hpt-bg.com
www.hpt-bg.com

HYDRAULIC MOTOR BLOCKS TYPE BV

BVR 12 09/.. .



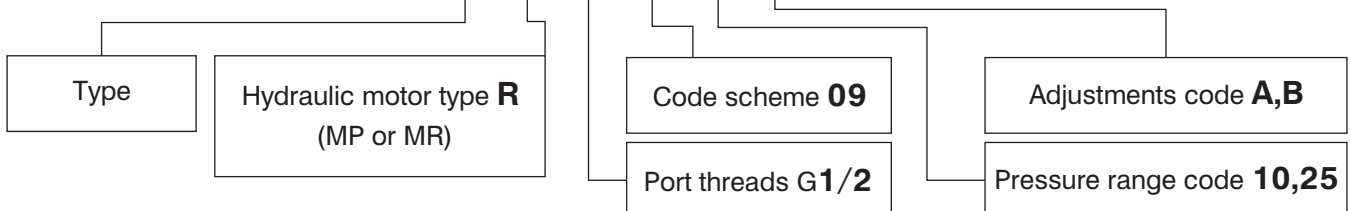
TECHNICAL DATA		
Max. pressure	bar	250
Nominal flow rate	L/min	50
Pressure ratio		4,25:1

PRESSURE RANGE			
Code	Standard setting bar (Q=5l/min)	Adj. pressure range bar	Colour
10	80	10...100	White
25	180	30...250	Yellow

Code	ADJUSTMENTS
A	Leakproof hex. socket screw
B	Handknob and locknut

ORDERING CODE

BV R 12 09/10 A



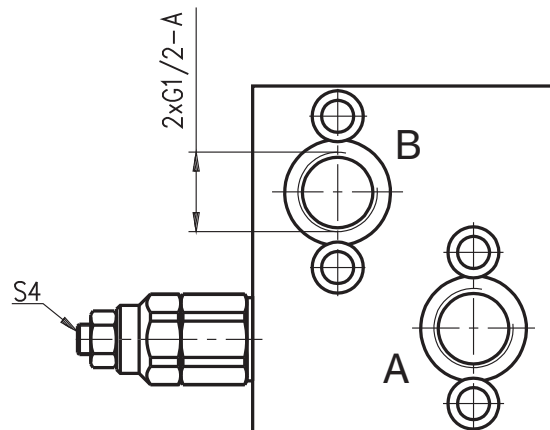
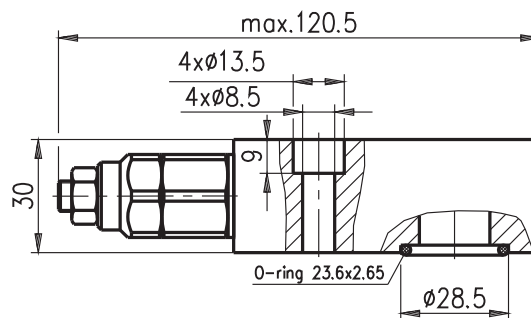
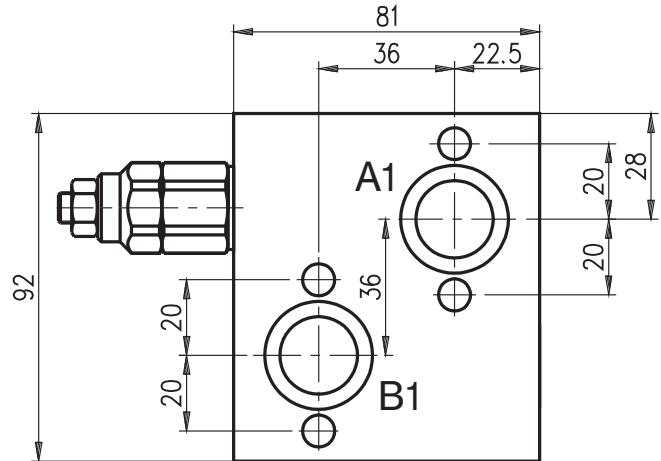
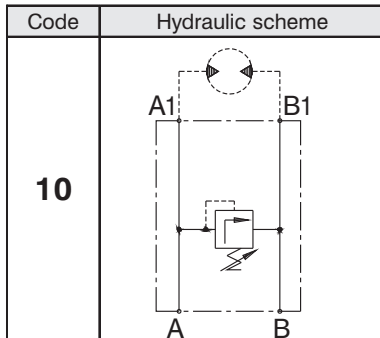


**Hidro
Pnevmo
Tehnika**

3, Vojeli St., Kazanlak, Bulgaria
Tel.: +359 431/ 62 228
Fax : +359 431/ 62 019
e-mail : info@hpt-bg.com
www.hpt-bg.com

HYDRAULIC MOTOR BLOCKS TYPE BV

BVR 12 10/.. .



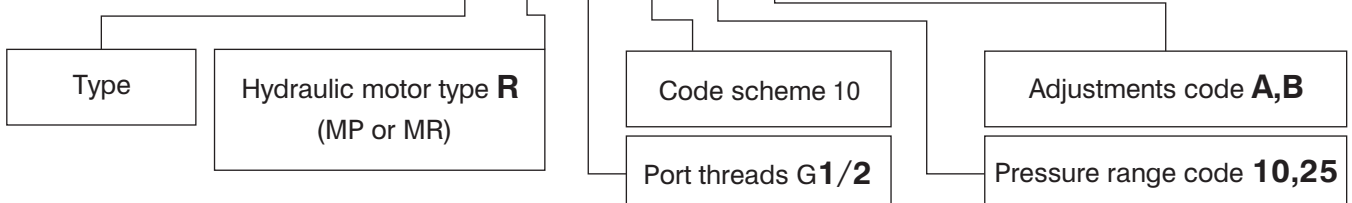
TECHNICAL DATA		
Nominal pressure	bar	250
Nominal flow rate	L/min	50

PRESSURE RANGE			
Code	Standard setting bar (Q=5l/min)	Adj. pressure range bar	Colour
10	80	10...100	White
25	180	30...250	Yellow

Code	ADJUSTMENTS	
A	Leakproof hex. socket screw	
B	Handknob and locknut	

ORDERING CODE

BV R 12 10/10 A



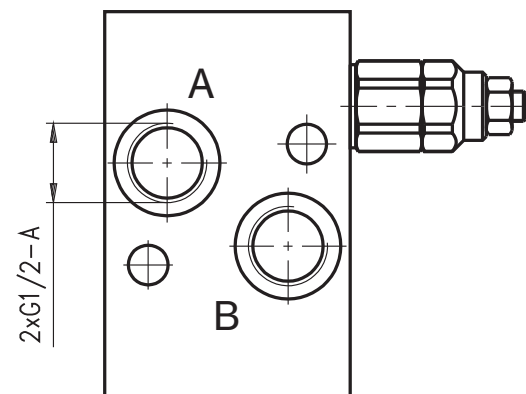
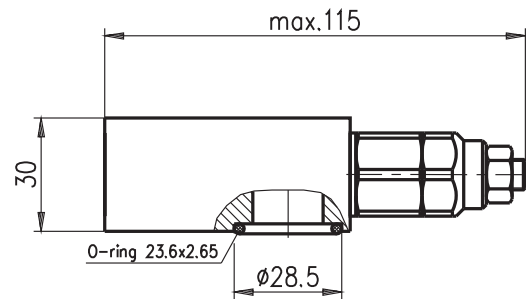
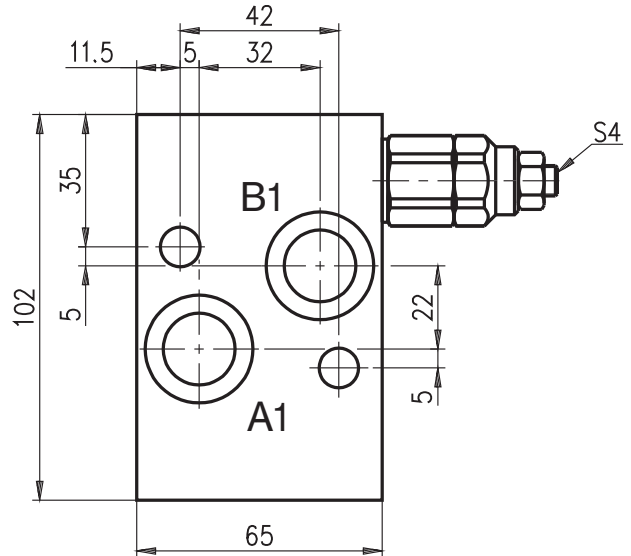
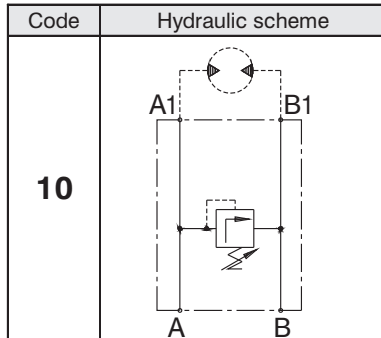


**Hidro
Pnevmo
Tehnika**

3, Vojeli St., Kazanlak, Bulgaria
Tel.: +359 431/ 62 228
Fax : +359 431/ 62 019
e-mail : info@hpt-bg.com
www.hpt-bg.com

HYDRAULIC MOTOR BLOCKS TYPE BV

BVS 12 10/.. .



TECHNICAL DATA

Nominal pressure	bar	250
Nominal flow rate	L/min	50

PRESSURE RANGE

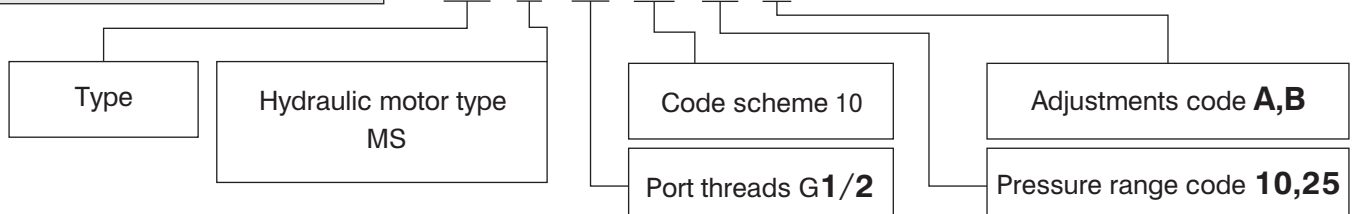
Code	Standard setting bar (Q=5l/min)	Adj. pressure range bar	Colour
10	80	10...100	White
25	180	30...250	Yellow

ADJUSTMENTS

Code	ADJUSTMENTS
A	Leakproof hex. socket screw
B	Handknob and locknut

ORDERING CODE

BV S 12 10/10 A



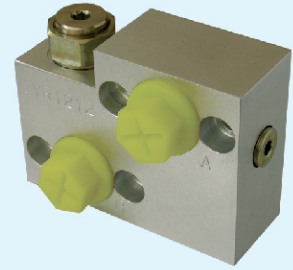


**Hidro
Pnevmo
Tehnika**

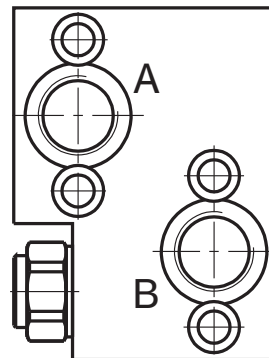
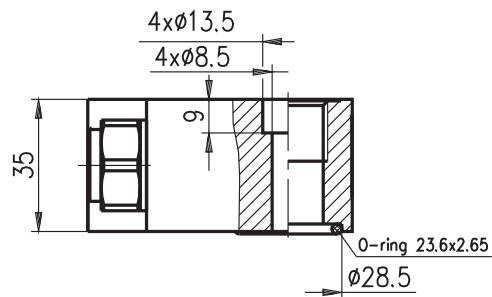
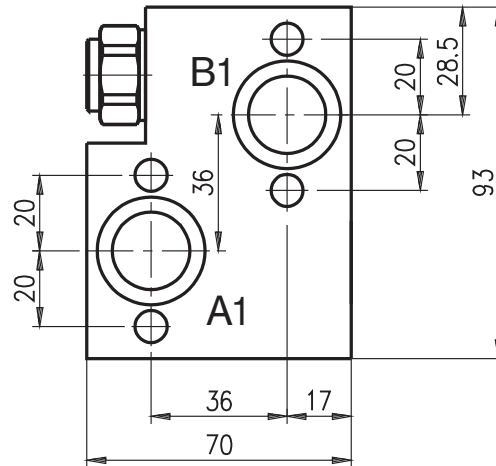
3, Vojeli St., Kazanlak, Bulgaria
Tel.: +359 431/ 62 228
Fax : +359 431/ 62 019
e-mail : info@hpt-bg.com
www.hpt-bg.com

HYDRAULIC MOTOR BLOCKS TYPE BV

BVR 12 12



Code	Hydraulic scheme
12	



TECHNICAL DATA		
Nominal pressure	bar	210
Nominal flow rate	L/min	50

ORDERING CODE

BVR 1212

Type

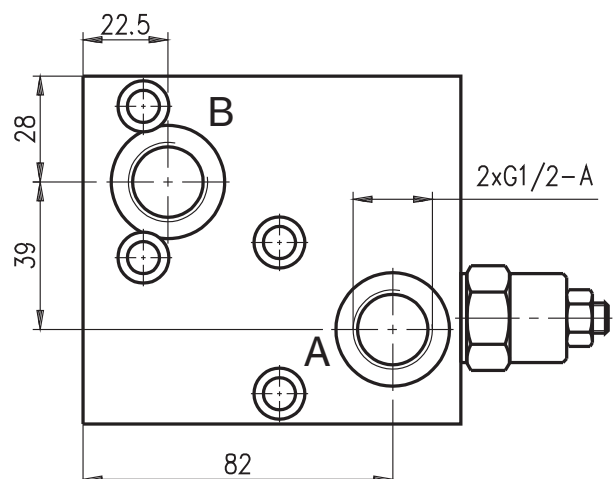
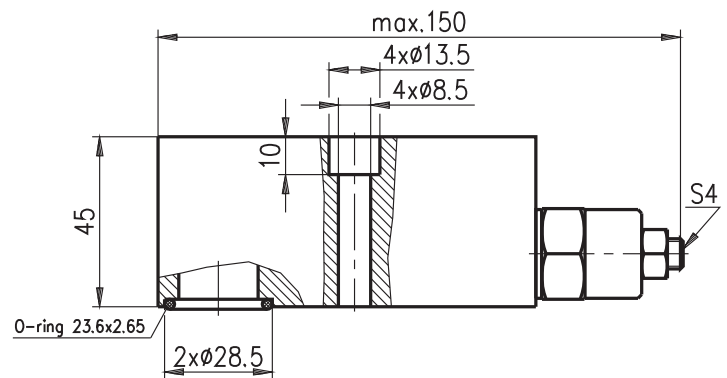
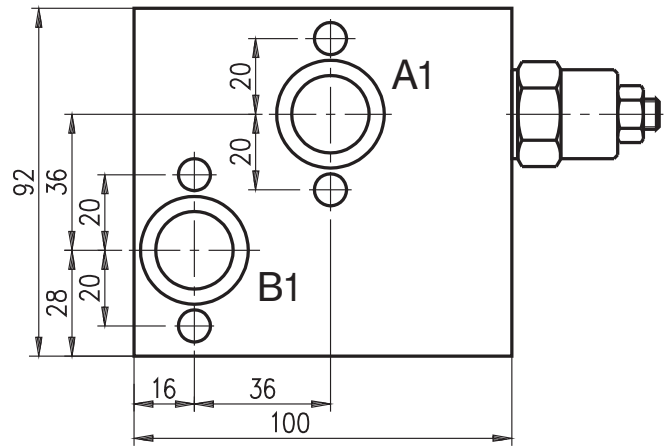
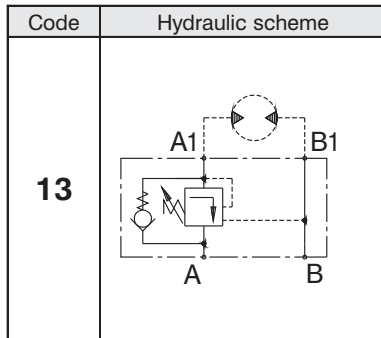
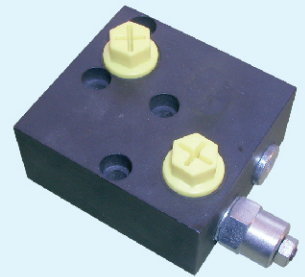


**Hidro
Pnevmo
Tehnika**

3, Vojeli St., Kazanlak, Bulgaria
 Tel.: +359 431/ 62 228
 Fax : +359 431/ 62 019
 e-mail : info@hpt-bg.com
 www.hpt-bg.com

HYDRAULIC MOTOR BLOCKS TYPE BV

BVR 12 13



TECHNICAL DATA		
Nominal pressure	bar	210
Nominal flow rate	L/min	50

ORDERING CODE

BVS 1213

Type

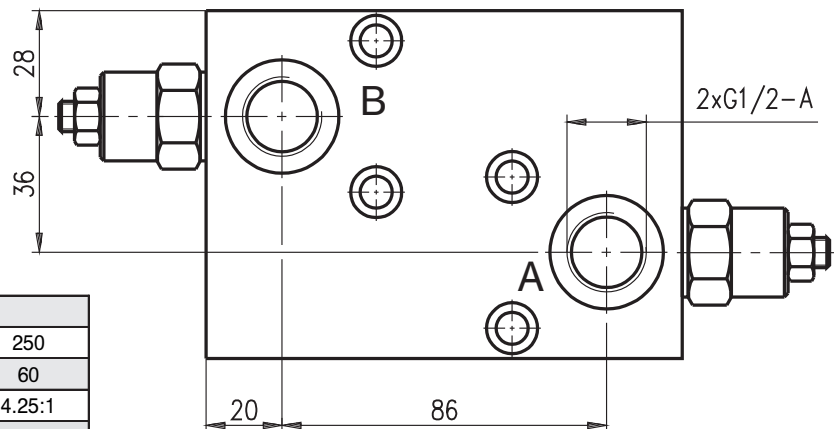
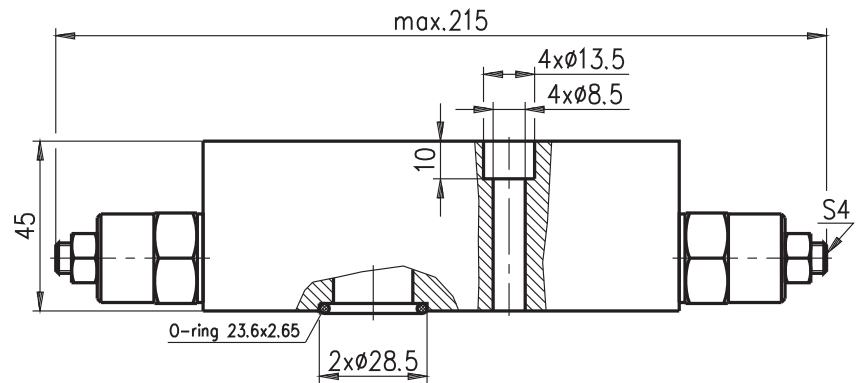
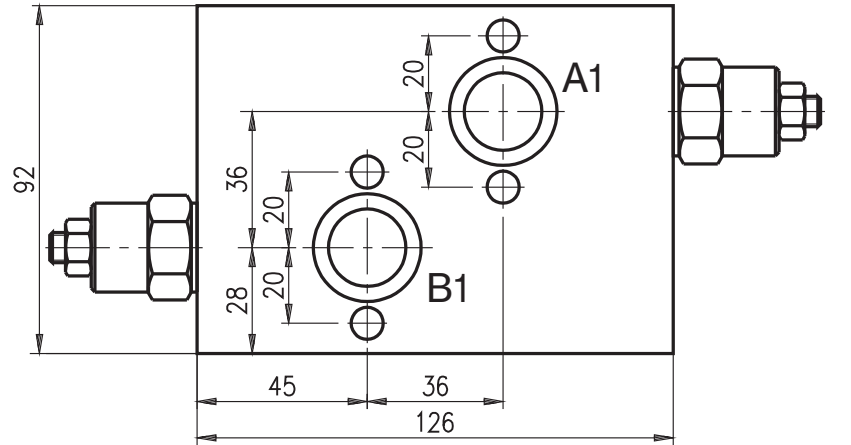
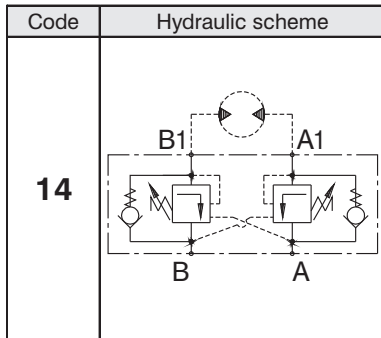


**Hidro
Pnevmo
Tehnika**

3, Vojeli St., Kazanlak, Bulgaria
 Tel.: +359 431/ 62 228
 Fax : +359 431/ 62 019
 e-mail : info@hpt-bg.com
 www.hpt-bg.com

HYDRAULIC MOTOR BLOCKS TYPE BV

BVR 12 14



TECHNICAL DATA		
Max. pressure	bar	250
Nominal flow rate	L/min	60
Pressure ratio		4.25:1
Variation ratio	bar	60...280

ORDERING CODE

BVR 1214

Type

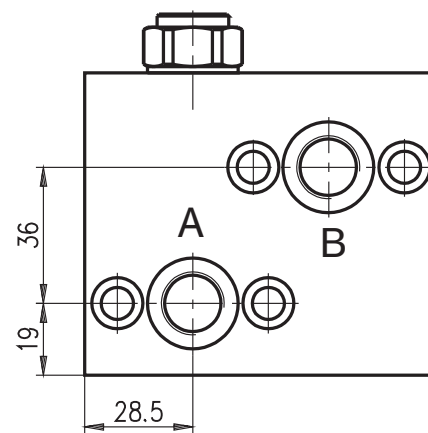
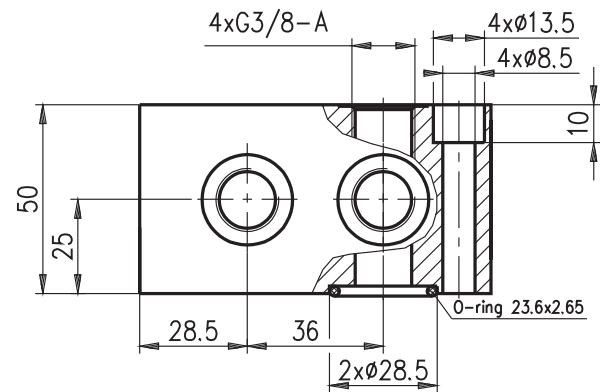
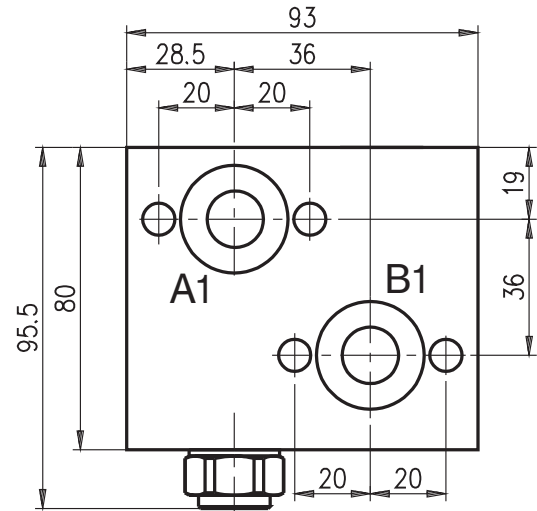
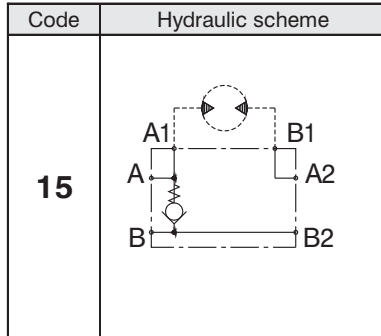


**Hidro
Pnevmo
Tehnika**

3, Vojeli St., Kazanlak, Bulgaria
Tel.: +359 431/ 62 228
Fax : +359 431/ 62 019
e-mail : info@hpt-bg.com
www.hpt-bg.com

HYDRAULIC MOTOR BLOCKS TYPE BV

BVR 38 15



TECHNICAL DATA		
Max. pressure	bar	210
Nominal flow rate	L/min	60

ORDERING CODE

BVR 38 15

Type

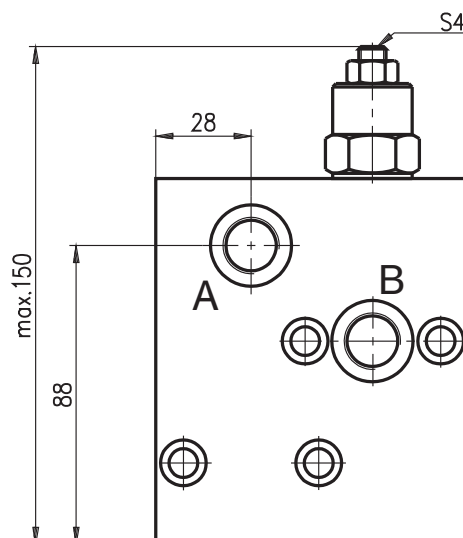
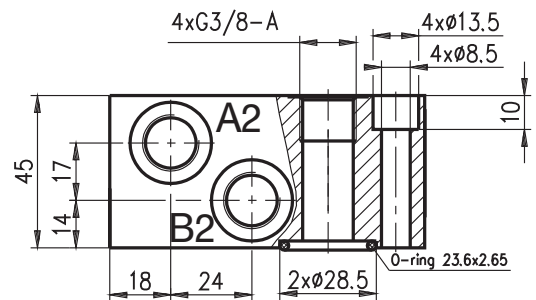
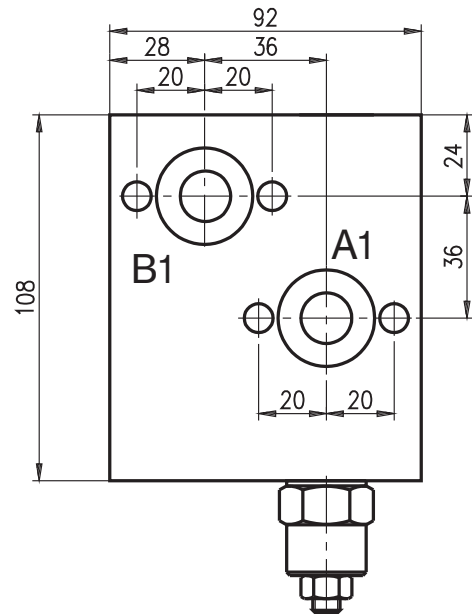
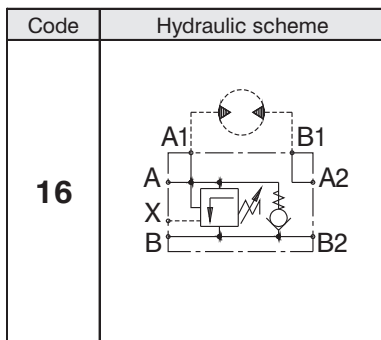


**Hidro
Pnevmo
Tehnika**

3, Vojeli St., Kazanlak, Bulgaria
Tel.: +359 431/ 62 228
Fax : +359 431/ 62 019
e-mail : info@hpt-bg.com
www.hpt-bg.com

HYDRAULIC MOTOR BLOCKS TYPE BV

BVR 38 16



TECHNICAL DATA		
Max. pressure	bar	210
Nominal flow rate	L/min	30

ORDERING CODE

BVR 38 16

Type